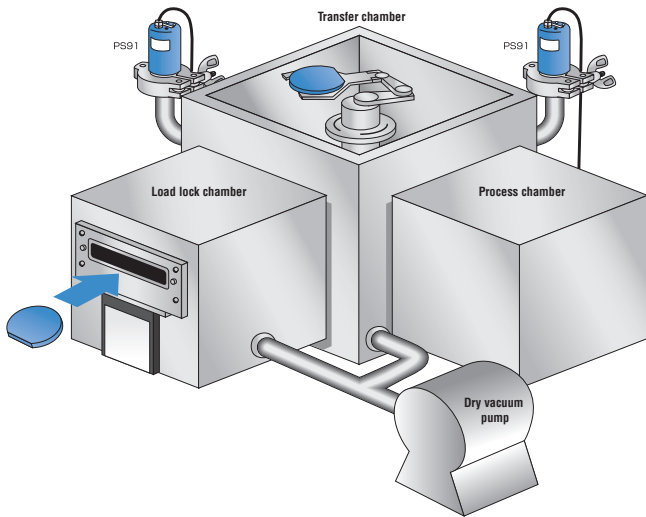


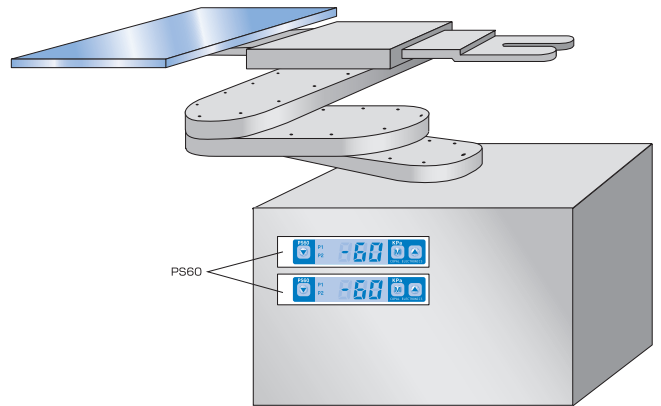
PRESSURE SENSORS

APPLICATIONS

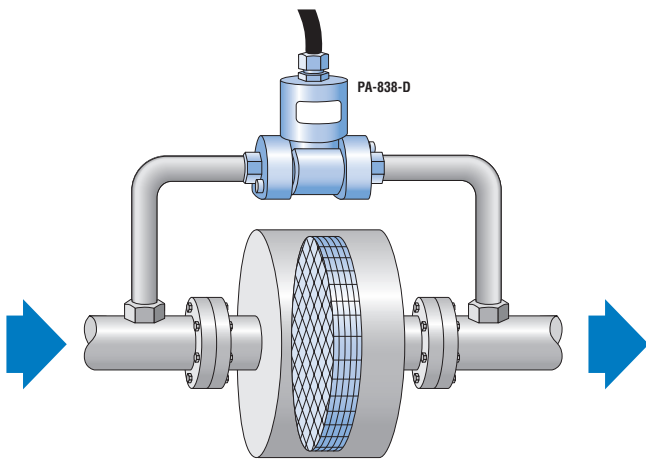
● Atmospheric pressure confirmation of chamber



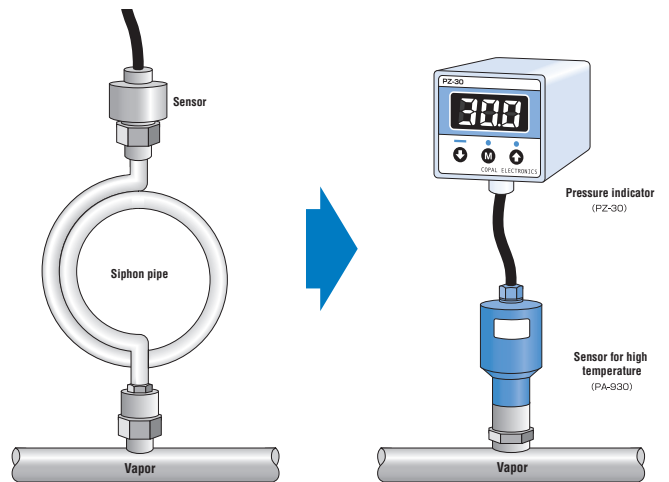
● Suction detection



● Clogging detection in strainer



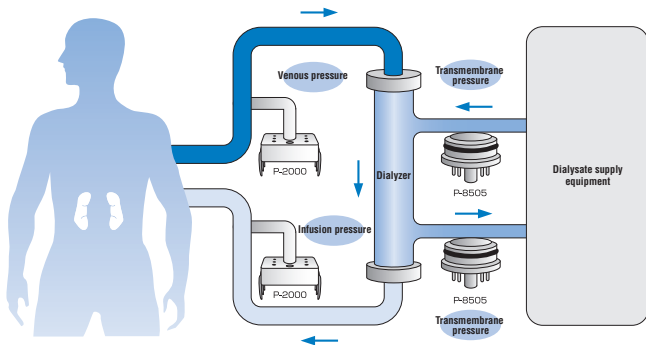
● Pressure sensing for water vapor



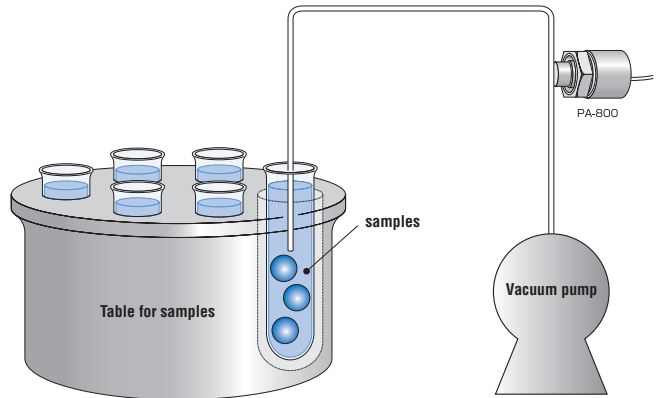
APPLICATIONS

PRESSURE SENSORS

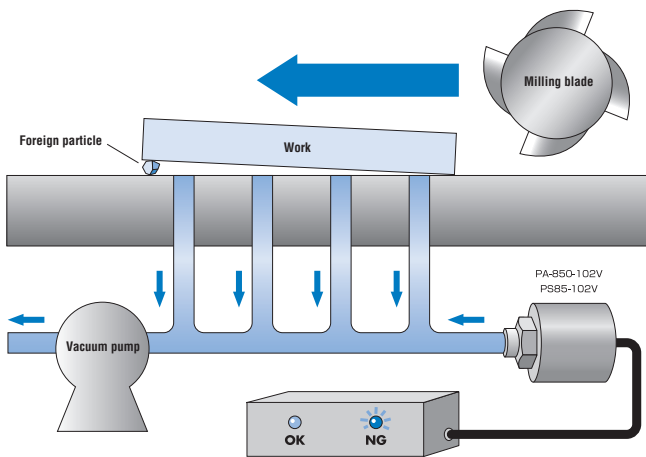
● Dialysis system



● Detection of vacuum level for blood analyzing apparatus



● Detection of foreign particle by fraise



● Measuring of water level

