



2025

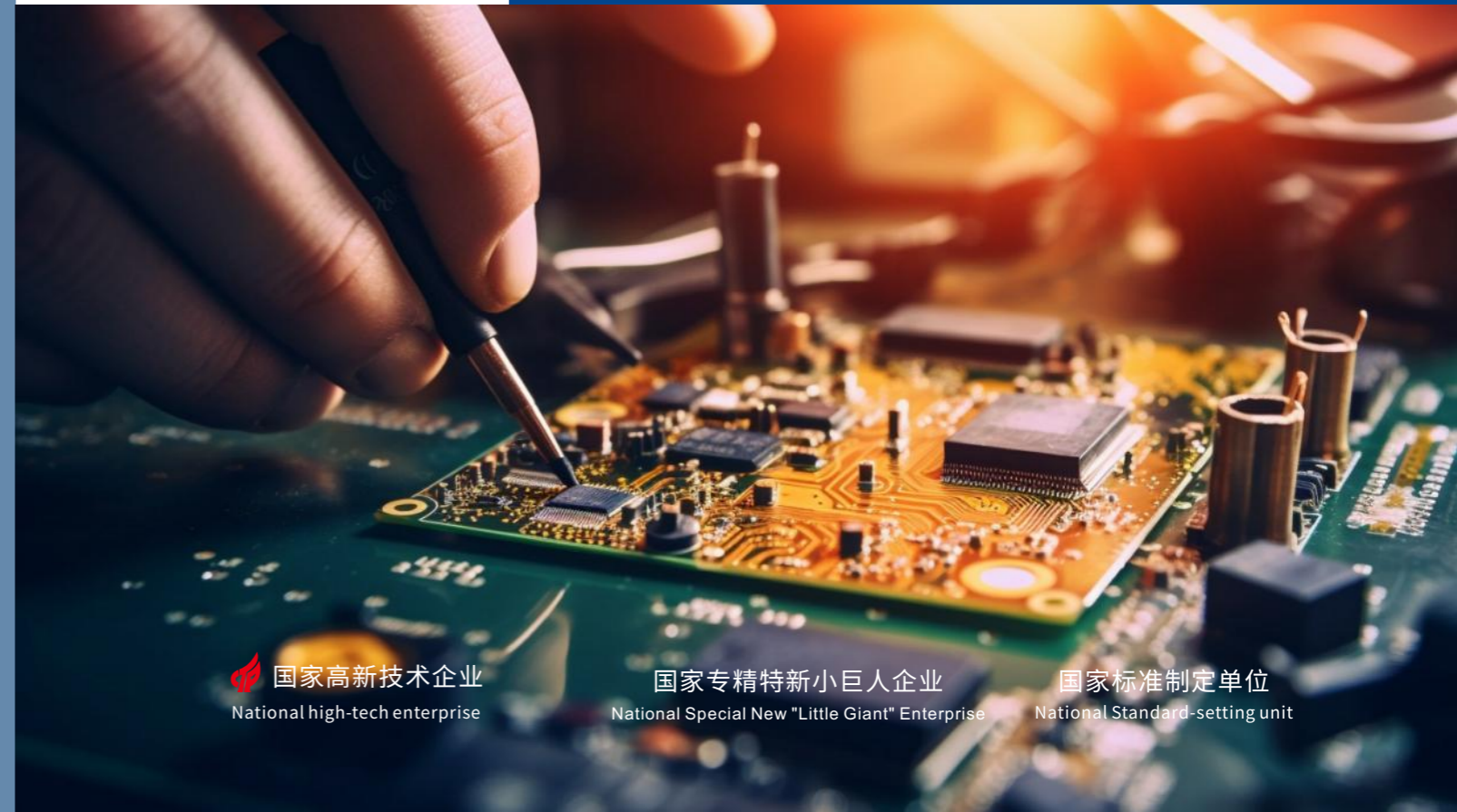
用芯驱动未来

DRIVE THE FUTURE WITH MOT CHIP

广东仁懋电子有限公司
Guangdong Inmark Electronics Co., Ltd

广东仁懋电子有限公司
Guangdong Inmark Electronics Co., Ltd

深圳总部: 广东省深圳市罗湖区桂园街道深城投中心大厦19楼
Headquarters: 19th Floor, SCTC Mansion, GuiYuan RD, Luohu, Shenzhen
深圳基地: 深圳市宝安区松岗大道2号仁懋工业园
FACTORY-1: Renmao Industrial Park, No.2 Songgang Avenue, Bao'an District, Shenzhen, Guangdong Province
江苏基地: 江苏省盐城市亭湖区太湖路33号1栋、3栋
FACTORY-2: 1# and 3#, No.33, Taihu RD, Tinghu District, Yancheng City, Jiangsu Province, China
惠州基地: 惠州仲恺高新区6号
FACTORY-3: Plant No. 6, Zongkai Hi-tech Industrial Development Zone, Huizhou City, Guangdong Province, China
TEL: 0755-82527851
网址: www.mot-mos.com



国家高新技术企业
National high-tech enterprise

国家专精特新小巨人企业
National Special New "Little Giant" Enterprise

国家标准制定单位
National Standard-setting unit

Contents

目录

公司简介.....	3
Company Introduction	
发展历程.....	5
Development Process	
企业文化.....	7
Company Culture	
自主知识产权.....	9
Independent Intellectual Property Rights	
检测认证.....	11
Test and Certificates	
荣誉资质.....	12
Honor and Qualification	
高端智能线.....	13
High-end Intelligent Production Line	
应用领域.....	15
Production Applications	
封装外型.....	16
Package Outlines	
产品选型表.....	17
Production Selection	
可靠性能试验项目.....	58
Reliability Performance Test Project	

公司简介 Company Profile



广东仁懋电子有限公司创始于2011年，是国内知名的半导体封装测试高新技术企业，国家级专精特新企业“小巨人”企业，致力于为全球电子制造企业提供优质半导体元器件产品。发展至今，仁懋电子拥有三大生产基地：珠三角深圳厂、惠州厂及长三角江苏盐城厂，建筑面积为60000平方米，目前封装测试车间面积为40000平米，主要封装形式为SOT、TO系列、PDFN产品封装。随着公司的投入和工艺技术不断优化，品质稳步提升，先后与业界知名企业建立战略合作关系，已发展成为全国颇具竞争力的功率器件封测企业。

仁懋电子目前公司员工总共500余人，其中研发人员100余人。公司成立以来即专注于MOSFET、IGBT等半导体芯片和功率器件的研发、设计及销售，产品优质且系列齐全，涵盖了主流的集成电路的系统应用。主营产品：肖特基二极管、三极管、低中高压MOS、快恢复二极管、低压降肖特基、IGBT等，广泛应用于消费电子、汽车电子、工业电子、新能源汽车及充电桩、智能装备制造、轨道交通、光伏新能源、5G等领域。

仁懋电子坚持自主研发制造，打破国外技术壁垒，助推碳化硅汽车芯片的国产化，目前，公司已申请/获得专利近百余项，形成立体的知识产权保护体系，创立自主品牌MOT，同时引进国际一流的高端设备，自动化程度高，保证了产品的稳定性，半导体器件封装和测试生产线具世界先进水平，为现代化大生产提供了坚实基础。

仁懋电子广聚人才，以院士、博士等行业领军人才为核心，将进一步依托技术、品牌、渠道等综合优势，开拓国际先进功率器件封装制造技术，全力推进高端功率MOSFET、IGBT、集成功率器件的研发与产业化，持续布局半导体功率器件先进前沿的技术领域，提升公司核心产品竞争力和市场地位，深化产品的全面国产化，开拓创新，提供高质量产品，为我们的客户开发节能可持续的解决方案。仁懋电子建立了高效的供应链管理流程，每年的出货量均能超过百亿只，满足了市场以及客户的严苛要求。

Guangdong Inmark Electronics Co., Ltd. was founded in 2011. It is a well-known high-tech enterprise specializing in semiconductor packaging and testing. Inmark is a national-level "Specialized and Special new" enterprises, also called as "Little Giant" enterprise. The company is committed to providing high-quality semiconductor components for global electronic manufacturing companies. We have three production bases: Shenzhen factory and Huizhou factory in the Pearl River Delta and Yancheng factory in the Yangtze River Delta, with a total infrastructure area of 60,000 square meters. Up to now the packaging and testing workshop area is more than 40,000 square meters, and the main packages include SOT, TO series, and PDFN. With the company's investment and process technology continuously optimized, the product quality has been steadily improved. Inmark has established strategic cooperative relationships with many well-known companies in the industry, and so as to be an unparalleled power device packaging and testing enterprise with strong competitiveness in China.

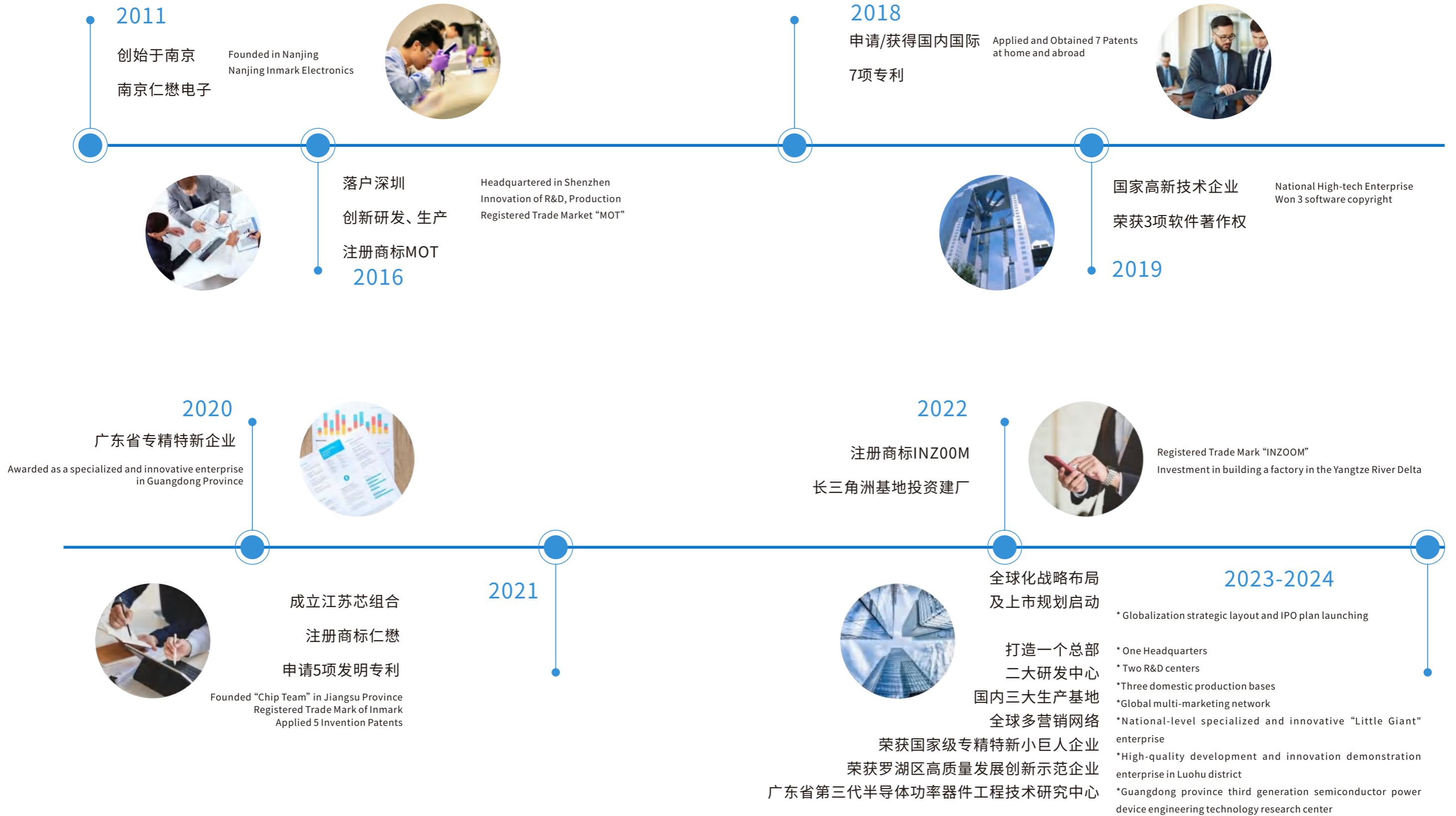
Inmark Electronics currently has a total of more than 500 employees, including over 100 R&D personnel. Since its establishment, the company has been focused on the research, design, and sales of semiconductor chips and power devices such as MOSFETs and IGBTs. The products are of high quality and complete in series, covering the system applications of mainstream integrated circuits. The main products are Schottky diodes, transistors, low- to high-voltage Mosfet, fast recovery diodes, low-voltage drop Schottky, IGBTs, etc., which are widely used in consumer electronics, automotive electronics, industrial electronics, new energy vehicles and charging piles, intelligent equipment manufacturing, rail transit, photovoltaic new energy and 5G fields.

Inmark Electronics adheres to independent R&D and manufacturing, breaking through foreign technological barriers and promoting the localization of silicon carbide automotive chips. Currently, the company has applied for/obtained nearly one hundred patents, forming a comprehensive intellectual property protection system. Inmark Electronics has established its own brand, MOT, and introduced internationally advanced high-end equipment, which ensures high automation and product stability. The semiconductor device packaging and testing production lines are at the world's advanced level, providing a solid foundation for modern large-scale production.

Inmark Electronics has gathered talents, with academicians, doctors and other industry leaders as the core. It will further rely on comprehensive advantages such as technology, brand and channels to develop international advanced power device packaging and manufacturing technology, and fully promote the research and development and industrialization of high-end power MOSFETs, IGBTs, integrated circuits and other devices. It will continue to lay out the advanced frontiers of semiconductor power devices, enhance the core product competitiveness and market position of the company, deepen the comprehensive localization of products, develop innovations, provide high-quality products, and develop energy-saving and sustainable solutions for our customers. Inmark Electronics has established an efficient supply chain management process. The annual shipment volume can exceed tens of billions to meet the harsh requirements of the market and customers.



发展历程 Road Map



| 企业文化 |

Company Culture

| 企业愿景 | 用专业缔造光辉的百年企业!

Vision | Creating a century-old enterprise with professionalism

| 企业使命 | 为世界科技进程而不懈努力!

Mission | Unremitting efforts for the world's technological progress

| 企业价值观 | 提供优质产品证明企业存在的价值!

Value | Providing high-quality products proves the value of the enterprise's existence

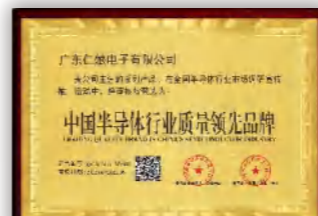
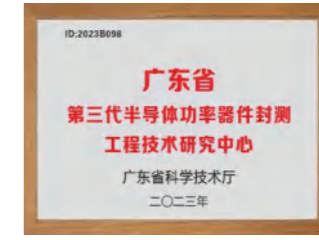
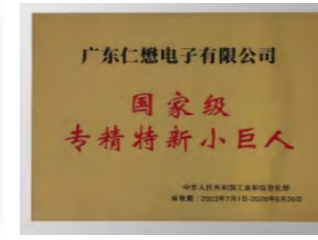
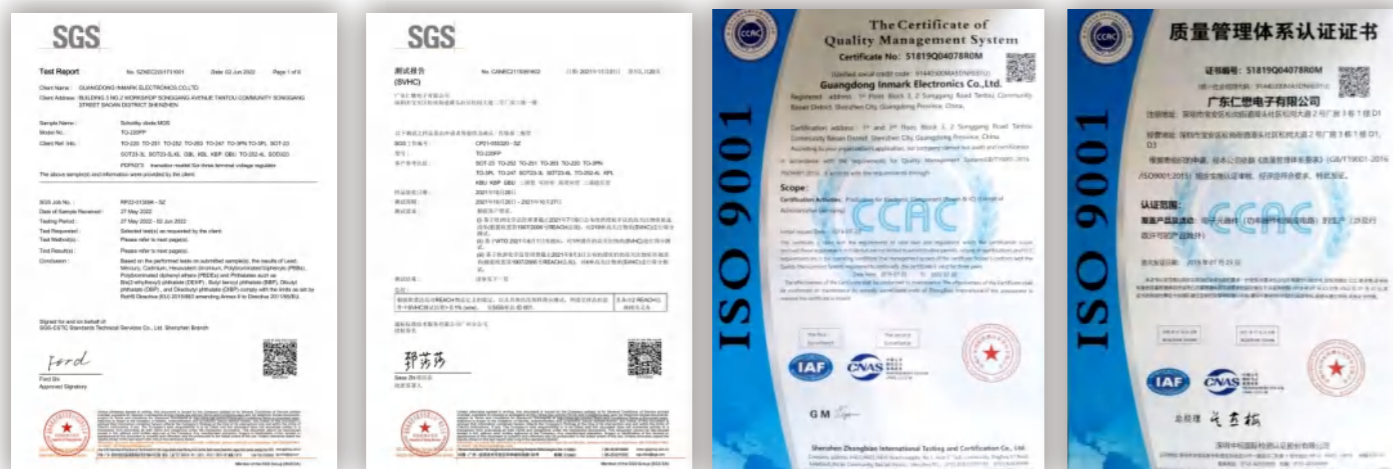


为加速全球化战略布局,仁懋电子打造1个总部,2个研发中心,3大生产基地,实现全球多营销网点的产业新形态。励志于成为半导体封测行业国际知名的民主自主品牌,助力信息社会发展。

In order to accelerate the global strategic deployment, Inmark Electronics has created one headquarters, two R&D centers, and three large production bases to realize a new form of global multi-marketing network. It is committed to becoming an internationally renowned democratic and independent brand in the semiconductor packaging and testing industry and helping the development of information society.

自主知识产权 Intellectual Property Rights





|| 高端智能产线 High-end Intelligent Production Line



仁懋电子创立自主品牌MOT、INZOOM等。引入国际一流的高端先进设备,打造高标准智能生产线,不断优化生产工艺流程,严格按照ISO9001质量管理体系进行品质管控,发展至今,企业总资产数十亿元,拥有半导体功率器件To封装生产线20余条,Toll产线10条,SOT生产线10条,年产各类分立器件10亿支以上,小信号器件100亿支。

Inmark Electronics established its own brand MOT, INZOOM, etc. It has introduced world-class advanced equipment, built high-standard intelligent production lines, continuously optimized production processes, and strictly controlled quality according to the ISO9001 quality management system. Up to now, the company's total assets are tens of billions of yuan. It has more than 20 semiconductor power device TO-packaging production lines, 10 TOLL production lines, 10 SOT production lines, and produces more than 1 billion various discrete devices and 10 billion small signal devices annually.



医疗电子
Medical Electronics



消费电子
Consumer Electronics



手机通信
Mobile Communications



汽车电子
Automotive Electronics



工业控制
Industrial Control



信息安全
Information Safety



PC
Personal Computer



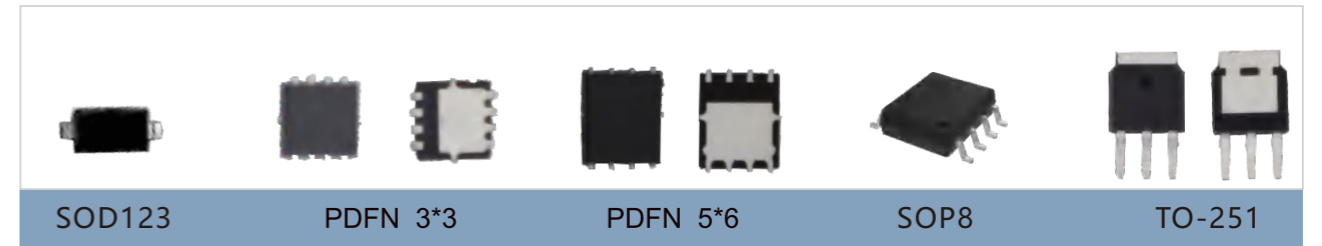
新能源
New Energy



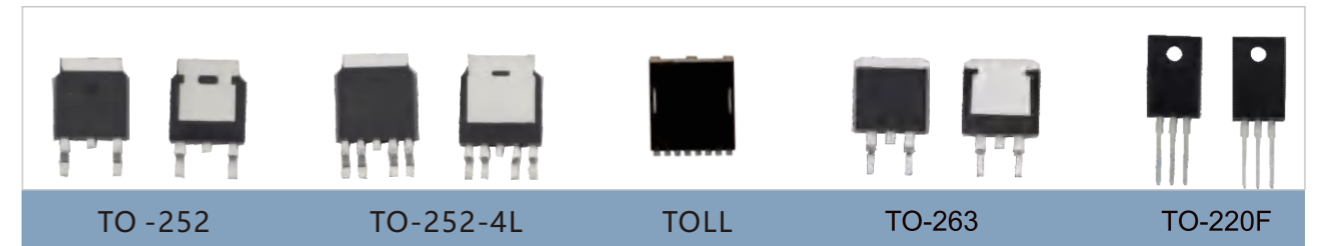
光伏
Photovoltaic Power



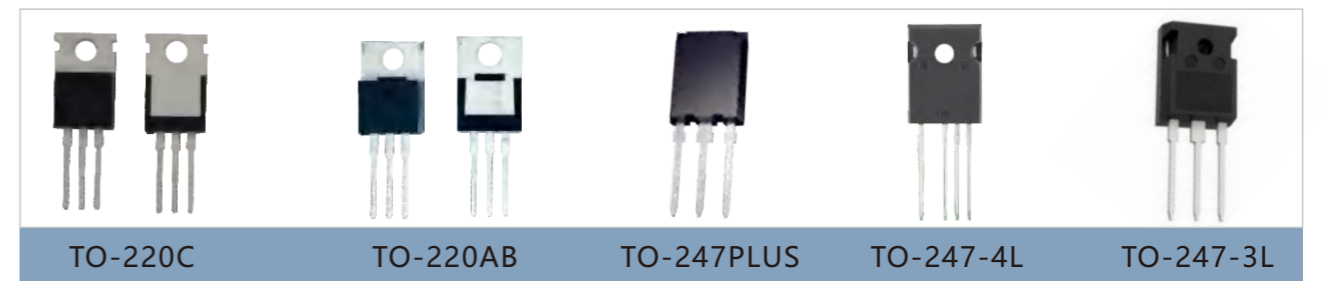
SMA SMB SMC SOT-23 SOT23-3 SOT23-5 SOT23-6 SOD323



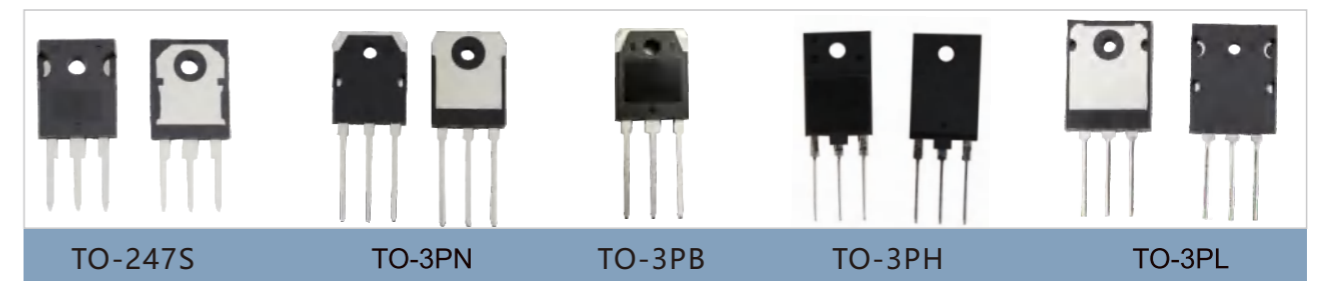
SOD123 PDFN 3*3 PDFN 5*6 SOP8 TO-251



TO-252 TO-252-4L TOLL TO-263 TO-220F



TO-220C TO-220AB TO-247PLUS TO-247-4L TO-247-3L



TO-247S TO-3PN TO-3PB TO-3PH TO-3PL

产品选型表 Production Selection

高压平面MOS (High-Voltage Planar Mosfet)

序号	Part-NO	Package Type	ID(A)	V _{DSS} (V)	VGS(th)(V)	R _{DS(on) (MAX)} (Ω)
1	MOT4512F	TO-220F	12	450	2-4	0.52
2	MOT4512D	TO-252	12	450	2-4	0.52
3	MOT4513A	TO-220	13	450	2-4	0.42
4	MOT4N50SD	TO-252 带快恢复	4	500	2-4	3.5
5	MOT4N50D	TO-252	4	500	2-4	3.5
6	MOT5N50A	TO-220	5	500	2-4	1.6
7	MOT5N50F	TO-220F	5	500	2-4	1.6
8	MOT5N50C	TO-251	5	500	2-4	1.6
9	MOT5N50D	TO-252	5	500	2-4	1.6
10	MOT5N50MD	TO-252	5	500	2-4	2.5
11	MOT5N50XD	TO-252	5	500	2-4	2.9
12	MOT5N50BD	TO-252	5	500	2-4	3.2
13	MOT6N50D	TO-252	6	500	2-4	1.4
14	MOT6N50SD	TO-252	6	500	2-4	1.4
15	MOT9N50A	TO-220	9	500	2-4	0.8
16	MOT9N50F	TO-220F	9	500	2-4	0.8
17	MOT9N50C	TO-251	9	500	2-4	0.8
18	MOT9N50D	TO-252	9	500	2-4	0.8
19	MOT9N50EA	TO-220	9	500	2-4	0.75
20	MOT9N50EF	TO-220F	9	500	2-4	0.75
21	MOT9N50EC	TO-251	9	500	2-4	0.75
22	MOT9N50ED	TO-252	9	500	2-4	0.75
23	MOT10N50A	TO-220	10	500	2-4	0.55
24	MOT10N50F	TO-220F	10	500	2-4	0.55
25	MOT10N50C	TO-251	10	500	2-4	0.55
26	MOT10N50D	TO-252	10	500	2-4	0.55
27	MOT11N50A	TO-220	11	500	2-4	0.55
28	MOT11N50F	TO-220F	11	500	2-4	0.55
29	MOT13N50A	TO-220	13	500	2-4	0.36
30	MOT13N50SF	TO-220F	13	500	2-4	0.55
31	MOT13N50S	TO-252	13	500	2-4	0.36
32	MOT13N50EF	TO-220F	13	500	2-4	0.45
33	MOT13N50F	TO-220F	13	500	2-4	0.42
34	MOT13N50HF	TO-220F	13	500	2-4	0.42
35	MOT15N50A	TO-220	15	500	2-4	0.42
36	MOT15N50HF	TO-220F	15	500	2-4	0.42
37	MOT16N50A	TO-220	16	500	2-4	0.32
38	MOT16N50HF	TO-220F	16	500	2-4	0.32
39	MOT18N50EA	TO-220	18	500	2-4	0.3
40	MOT18N50HF	TO-220F	18	500	2-4	0.3
41	MOT20N50A	TO-220	20	500	2-4	0.25
42	MOT20N50HF	TO-220F	20	500	2-4	0.25
43	MOT20N50W	TO-247S	20	500	2-4	0.25
44	MOT22N50A	TO-220	22	500	2-4.5	0.23
45	MOT22N50HF	TO-220F	22	500	2-4.5	0.23
46	MOT22N50W	TO-247S	22	500	2-4.5	0.23
47	MOT28N50A	TO-220	28	500	2-4.5	0.18
48	MOT28N50HF	TO-220F	28	500	2-4.5	0.18
49	MOT28N50W	TO-247S	28	500	2-4.5	0.18
50	MOT2N60A	TO-220	2	600	2-4	3.4

高压平面MOS (High-Voltage Planar Mosfet)

序号	Part-NO	Package Type	ID(A)	V _{DSS} (V)	VGS(th)(V)	R _{DS(on) (MAX)} (Ω)
51	MOT2N60F	TO-220F	2	600	2-4	3.4
52	MOT2N60C	TO-251	2	600	2-4	3.4
53	MOT2N60D	TO-252	2	600	2-4	3.4
54	MOT4N60A	TO-220	4	600	2-4	2.8
55	MOT4N60F	TO-220F	4	600	2-4	2.8
56	MOT4N60C	TO-251	4	600	2-4	2.8
57	MOT4N60D	TO-252	4	600	2-4	2.8
58	MOT5N60A	TO-220	5	600	2-4	2.4
59	MOT5N60F	TO-220F	5	600	2-4	2.4
60	MOT5N60C	TO-251	5	600	2-4	2.4
61	MOT5N60D	TO-252	5	600	2-4	2.4
62	MOT7N60A	TO-220	7	600	2-4	1.3
63	MOT7N60F	TO-220F	7	600	2-4	1.3
64	MOT7N60C	TO-251	7	600	2-4	1.3
65	MOT7N60D	TO-252	7	600	2-4	1.3
66	MOT8N60A	TO-220	8	600	2-4	0.78
67	MOT8N60F	TO-220F	8	600	2-4	0.78
68	MOT8N60C	TO-251	8	600	2-4	0.78
69	MOT8N60D	TO-252	8	600	2-4	0.78
70	MOT10N60A	TO-220	10	600	2-4	0.53
71	MOT10N60F	TO-220F	10	600	2-4	0.53
72	MOT10N60HF	TO-220F	10	600	2-4	0.53
73	MOT10N60C	TO-251	10	600	2-4	0.53
74	MOT10N60D	TO-252	10	600	2-4	0.53
75	MOT12N60A	TO-220	12	600	2-4	0.52
76	MOT12N60HF	TO-220F	12	600	2-4	0.52
77	MOT15N60HF	TO-220F	15	600	2-4	0.5
78	MOT20N60HF	TO-220F	20	600	2-4	0.38
79	MOT22N60A	TO-220	22	600	2-4.5	0.35
80	MOT22N60HF	TO-220F	22	600	2-4.5	0.35
81	MOT22N60W	TO-247S	22	600	2-4.5	0.35
82	MOT28N60A	TO-220	28	600	2-4.5	0.3
83	MOT28N60HF	TO-220F	28	600	2-4.5	0.3
84	MOT28N60W	TO-247S	28	600	2-4.5	0.3
85	MOT2N65A	TO-220	2	650	2-4	5
86	MOT2N65F	TO-220F	2	650	2-4	5
87	MOT2N65C	TO-251	2	650	2-4	5
88	MOT2N65D	TO-252	2	650	2-4	5
89	MOT4N65A	TO-220	4	650	2-4	2.8
90	MOT4N65F	TO-220F	4	650	2-4	2.8
91	MOT4N65C	TO-251	4	650	2-4	2.8
92	MOT4N65D	TO-252	4	650	2-4	2.4
93	MOT5N65A	TO-220	5	650	2-4	2.5
94	MOT5N65F	TO-220F	5	650	2-4	2.4
95	MOT5N65C	TO-251	5	650	2-4	2.4
96	MOT5N65D	TO-252	5	650	2-4	2.4
97	MOT7N65AA	TO-220	7	650	2-4	1.4
98	MOT7N65EA	TO-220	7	650	2-4	1.4
99	MOT7N65YA	TO-220	7	650	2-4	1.4
100	MOT7N65EYA	TO-220	7	650	2-4	1.4

产品选型表 Production Selection

高压平面MOS (High-Voltage Planar Mosfet)

序号	Part-NO	Package Type	ID(A)	V _{DSS} (V)	VGS(th)(V)	R _{DS(on) (MAX)} (Ω)
101	MOT7N65AF	TO-220F	7	650	2-4	1.4
102	MOT7N65EF	TO-220F	7	650	2-4	1.4
103	MOT7N65YF	TO-220F	7	650	2-4	1.4
104	MOT7N65EYF	TO-220F	7	650	2-4	1.4
105	MOT7N65AC	TO-251	7	650	2-4	1.4
106	MOT7N65EC	TO-251	7	650	2-4	1.4
107	MOT7N65YC	TO-251	7	650	2-4	1.4
108	MOT7N65EYC	TO-251	7	650	2-4	1.4
109	MOT7N65AD	TO-252	7	650	2-4	1.4
110	MOT7N65ED	TO-252	7	650	2-4	1.4
111	MOT7N65YD	TO-252	7	650	2-4	1.4
112	MOT7N65EYD	TO-252	7	650	2-4	1.4
113	MOT8N65MA	TO-220	8	650	2-4	1.2
114	MOT8N65MF	TO-220F	8	650	2-4	1.2
115	MOT8N65MC	TO-251	8	650	2-4	1.2
116	MOT8N65MD	TO-252	8	650	2-4	1.2
117	MOT8N65F	TO-220F	8	650	2-4	1.2
118	MOT10N65A	TO-220	10	650	2-4	0.82
119	MOT10N65F	TO-220F	10	650	2-4	0.82
120	MOT10N65HF	TO-220F	10	650	2-4	0.82
121	MOT10N65C	TO-251	10	650	2-4	0.82
122	MOT10N65D	TO-252	10	650	2-4	0.82
123	MOT12N65A	TO-220	12	650	2-4	0.65
124	MOT12N65F	TO-220F	12	650	2-4	0.65
125	MOT12N65HF	TO-220F	12	650	2-4	0.65
126	MOT15N65HF	TO-220F	15	650	2-4	0.6
127	MOT16N65A	TO-220	16	650	2-4	0.52
128	MOT16N65HF	TO-220F	16	650	2-4	0.52
129	MOT18N65HF	TO-220F	16	650	2-4	0.52
130	MOT20N65HF	TO-220F	20	650	2-4	0.45
131	MOT22N65A	TO-220	22	650	2-4.5	0.4
132	MOT22N65HF	TO-220F	22	650	2-4.5	0.4
133	MOT22N65W	TO-247S	22	650	2-4.5	0.4
134	MOT28N65A	TO-220	28	650	2-4.5	0.35
135	MOT28N65HF	TO-220F	28	650	2-4.5	0.35
136	MOT28N65W	TO-247S	28	650	2-4.5	0.35
137	MOT2N70A	TO-220	2	700	2-4.5	5
138	MOT2N70F	TO-220F	2	700	2-4.5	5
139	MOT2N70C	TO-251	2	700	2-4.5	5
140	MOT2N70D	TO-252	2	700	2-4.5	5
141	MOT4N70A	TO-220	4	700	2-4.5	2.5
142	MOT4N70F	TO-220F	4	700	2-4.5	2.5
143	MOT4N70C	TO-251	4	700	2-4.5	2.5
144	MOT4N70D	TO-252	4	700	2-4.5	2.5
145	MOT7N70A	TO-220	7	700	2-4.5	1.5
146	MOT7N70F	TO-220F	7	700	2-4.5	1.5
147	MOT7N70C	TO-251	7	700	2-4.5	1.5
148	MOT7N70D	TO-252	7	700	2-4.5	1.5
149	MOT10N70A	TO-220	10	700	2-4.5	1
150	MOT10N70F	TO-220F	10	700	2-4.5	1

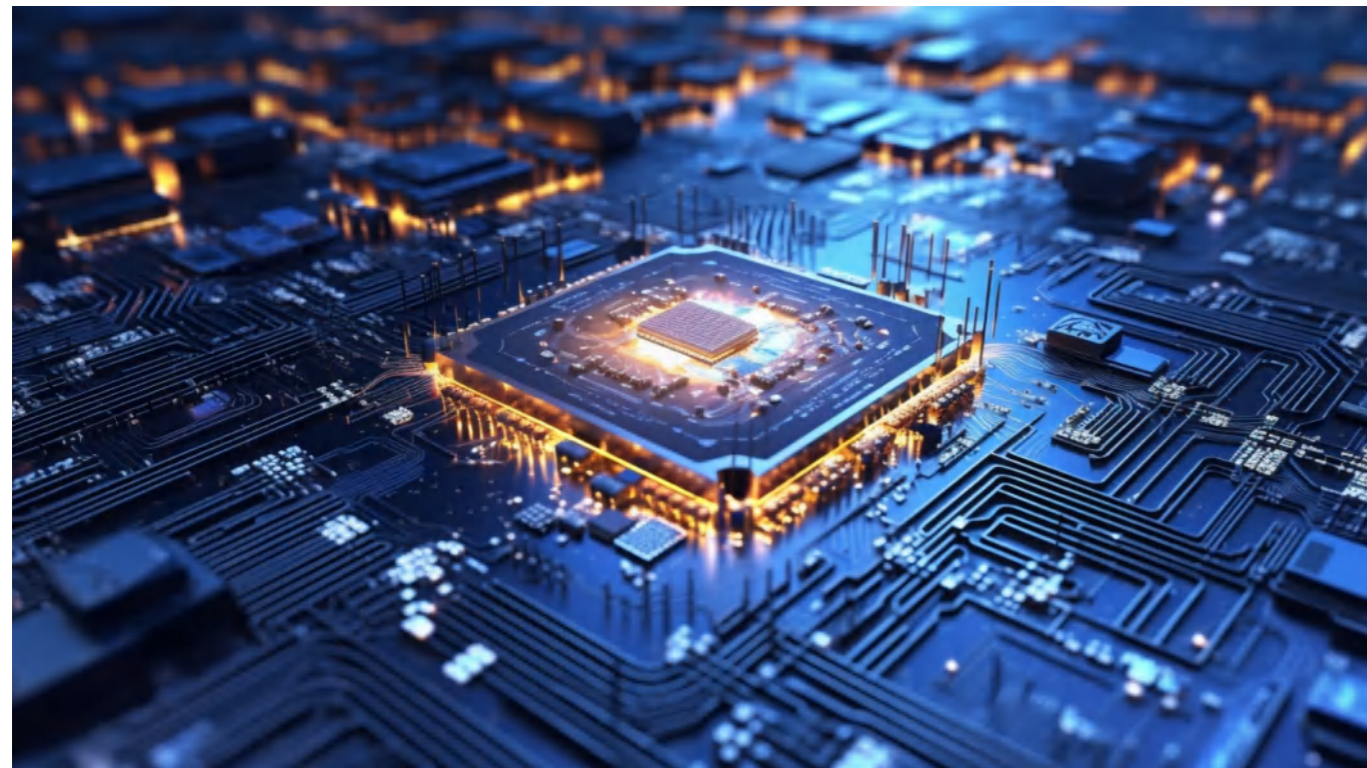
高压平面MOS (High-Voltage Planar Mosfet)

序号	Part-NO	Package Type	ID(A)	V _{DSS} (V)	VGS(th)(V)	R _{DS(on) (MAX)} (Ω)
151	MOT10N70HF	TO-220F	10	700	2-4.5	1
152	MOT12N70A	TO-220	12	700	2-4.5	0.82
153	MOT12N70F	TO-220F	12	700	2-4.5	0.82
154	MOT12N70HF	TO-220F	12	700	2-4.5	0.82
155	MOT4N80D	TO-252	4	800	2-4	3.8
156	MOT4N80F	TO-220F	4	800	2-4	3.8
157	MOT6N80F	TO-220F	6	800	2-4	2.3
158	MOT7N80F	TO-220F	7	800	2-5	1.8
159	MOT8N80HF	TO-220F	9	800	2-4	1
160	MOT10N80HF	TO-220F	10	800	2-5	0.75
161	MOT12N80HSF	TO-220F	12	800	2-5	0.73
162	MOT14N80N	TO-247	14	800	2-4	0.72
163	MOT27N80N	TO-247	27	800	2-5	0.35
164	MOT3N90D	TO-252	3	900	2-5	4.75
165	MOT3N90F	TO-220F	3	900	2-5	4.75
166	MOT4N90D	TO-252	4	900	2-5	4.8
167	MOT4N90F	TO-220F	4	900	2-5	4.8
168	MOT6N90F	TO-220F	6	900	2-5	1.6
169	MOT9N90F	TO-220F	9	900	2-5	1.35
170	MOT9N90AF	TO-220F	9	900	2-4	1
171	MOT12N90N	TO-247	12	900	2-4	1
172	MOT12N90W	TO-247S	12	900	2-4	1
173	MOT18N90N	TO-247	18	900	2-4	0.78
174	MOT18N90W	TO-247S	18	900	2-4	0.78
175	MOT24N90N	TO-247	24	900	2-5	0.42
176	MOT24N90W	TO-247S	24	900	2-5	0.42
177	MOT1N100F	TO-220F	0.5	1000	2-4	55
178	MOT2N100D	TO-252	2	1000	2-4	8.8
179	MOT4N100D	TO-252	4	1000	2-4	2.5
180	MOT4N100F	TO-220F	4	1000	2-4	2.5
181	MOT6N100F	TO-220F	6	1000	2-5	2.3
182	MOT9N100F	TO-220F	9	1000	2-4	1.5
183	MOT10N100F	TO-220F	10	1000	2-5	1.25
184	MOT13N100F	TO-220F	13	1000	2-5	1.4
185	MOT24N100N	TO-247	24	1000	2-5	0.45
186	MOT3N120D	TO-252	3	1200	2-5	8
187	MOT3N120F	TO-220F	3	1200	2-5	8
188	MOT10N120F	TO-220F	10	1200	2-5	4.2
189	MOT10N120AF	TO-220F	10	1200	2-5	1.9
190	MOT3N150F	TO-220F	3	1500	2-5	8.2
191	MOT3N150V	TO-3PH	3	1500	2-5	8.2
192	MOT9N150N	TO-247	9	1500	2-5	4
193	MOT11N150N	TO-247	11	1500	2-5	3.7
194	MOT20N65N	TO-247	20	650	2-4	0.36
195	MOT40N50N	TO-247	40	500	2-4	0.11
196	MOT30N50N	TO-247	30	500	2-4	0.22
197	MOT25N50N	TO-247	25	500	2-4	0.26
198	MOT50215SG	PDFN5*6	5	500	2-4	1.8
199	MOT50221G	PDFN5*6	5	500	2-4	2.1
200	MOT50232G	PDFN5*6	5	500	2-4	3.2

产品选型表 Production Selection

高压平面MOS(High-Voltage Planar Mosfet)

序号	Part-NO	Package Type	ID(A)	V _{DSS} [V]	VGS(th)(V)	R _{DS(on) (MAX)} (Ω)
201	MOT20N65Q	TO-3PB	20	650	2-4	0.36
202	MOT9N90Q	TO-3PB	9	900	3-5	1.6
203	MOT16N65E	TO-263	16	650	2-4	0.5
204	MOT12N65E	TO-263	12	650	2-4	0.7
205	MOT7N65EE	TO-263	7	650	2-4	1.35
206	MOT5N65EE	TO-263	5	650	2-4	2.8
207	MOT740F	TO-220F	10	400	2-4	0.53
208	MOT150N15N	TO-247	157	150	2.5-4.5	0.0062
209	MOT25N50W	TO-247S	25	500	2-4	0.26
210	MOT28N50Q	TO-3PB	28	500	2-4	0.22
211	MOT65R180	TO-220F	20	650	2-4	0.18
212	MOT50N50N	TO-247	50	500	2-4	0.08
213	MOT5N50CSD	TO-252	5	500	2-4	3.5
213	MOT40N50N	TO-247	40	500	2-4	0.16



序号	Part-NO	Package Type	ID(A)	V _{DSS} [V]	VGS(th)(V)	R _{DS(on) (MAX)} (Ω)
1	MOT60R850F	TO-220F	4.5	600	2-4	0.85
2	MOT60R850D	TO-252	4.5	600	2-4	0.85
3	MOT60R550F	TO-220F	8	600	2-4	0.6
4	MOT60R550D	TO-252	8	600	2-4	0.6
5	MOT60R380F	TO-220F	11	600	2-4	0.38

高压SJ MOS(High-Voltage SJ Mosfet)

序号	Part-NO	Package Type	ID(A)	V _{DSS} [V]	VGS(th)(V)	R _{DS(on) (MAX)} (Ω)
6	MOT60R380D	TO-252	11	600	2-4	0.38
7	MOT60R280F	TO-220F	15	600	2-4	0.28
8	MOT60R280D	TO-252	15	600	2-4	0.28
9	MOT60R180HF	TO-220F	22	600	2-4	0.18
10	MOT60R120HF	TO-220F	33	600	2-4	0.12
11	MOT60R099HF	TO-220F	38	600	2-4	0.099
12	MOT60R070W	TO-247S	50	600	2-4	0.07
13	MOT60R040W	TO-247S	76	600	2-4	0.04
14	MOT60R028W	TO-247S	80	600	2-4	0.028
15	MOT65R1K2F	TO-220F	4	650	2-4	1.2
16	MOT65R1K2D	TO-252	4	650	2-4	1.2
17	MOT65R850F	TO-220F	4.5	650	2-4	0.9
18	MOT65R850D	TO-252	4.5	650	2-4	0.9
19	MOT65R550F	TO-220F	8	650	2-4	0.55
20	MOT65R550D	TO-252	8	650	2-4	0.55
21	MOT65R380F	TO-220F	11	650	2-4	0.38
22	MOT65R380D	TO-252	11	650	2-4	0.38
23	MOT65R280F	TO-220F	15	650	2-4	0.28
24	MOT65R280D	TO-252	15	650	2-4	0.28
25	MOT65R180HF	TO-220F	20	650	2-4	0.18
26	MOT65R120HF	TO-220F	33	650	2-4	0.12
27	MOT65R099HF	TO-220F	38	650	2-4	0.099
28	MOT65R099KF	TO-220F	38	650	2-4	0.099
29	MOT65R070W	TO-247S	50	650	2-4	0.07
30	MOT65R040W	TO-247S	76	650	2-4	0.04
31	MOT65R028W	TO-247S	80	650	2-4	0.028
32	MOT70R380F	TO-220F	11	700	2-4	0.38
33	MOT70R380D	TO-252	11	700	2-4	0.38
34	MOT70R550F	TO-220F	8	700	2-4	0.6
35	MOT70R550D	TO-252	8	700	2-4	0.6
36	MOT70R900F	TO-220F	4.5	700	2-4	0.9
37	MOT70R900D	TO-252	4.5	700	2-4	0.9
38	MOT70R1K4F	TO-220F	4	700	2-4	1.4
39	MOT70R1K4D	TO-252	4	700	2-4	1.4
40	MOT70R1K6F	TO-220F	3.5	700	2-4	1.6
41	MOT70R1K6D	TO-252	3.5	700	2-4	1.6
42	MOT80R290F	TO-220F	15	800	2-4	0.29
43	MOT80R290D	TO-252	15	800	2-4	0.29
44	MOT80R450F	TO-220F	11	800	2-4	0.45
45	MOT80R450D	TO-252	11	800	2-4	0.45
46	MOT80R650F	TO-220F	8	800	2-4	0.65
47	MOT80R650D	TO-252	8	800	2-4	0.65
48	MOT80R900F	TO-220F	4.5	800	2-4	0.9
49	MOT80R900D	TO-252	4.5	800	2-4	0.9
50	MOT80R1K2F	TO-220F	4	800	2-4	1.2
51	MOT80R1K2D	TO-252	4	800	2-4	1.2
52	MOT90R1K4F	TO-220F	4	900	2-4	1.49
53	MOT90R1K4D	TO-252	4	900	2-4	1.49
54	MOT65R4B4	SOT-23	2	650	2-4	5
55	MOT65R190HKF	TO-220FP	20	650	2-4	0.19

产品选型表 Production Selection

中低压SGT MOS-TOLL (Low and Medium Voltage SGT Mosfet)

序号	Part-NO	Package	V _{DSS} [V](min)	ID [A](25°C)	VGS(th)[V] (max)	Rds(on) [mohm] at Vgs=				Qg [nC] at 10V	Qgs [nC]	Qgd [nC]	Configuration
						10V (TYP)	10V (MAX)	4.5V (TYP)	4.5V (MAX)				
1	MOT1120T	TOLL-8	100	280	4	1.62	2			131	50	24.5	N
2	MOT4N65T	TOLL-8	650	4	4.5	2.4	2.8			15	3.4	7.1	N
3	MOT12N65T	TOLL-8	650	12	4	0.62	0.72			45	10	5	N
4	MOT018N25T	TOLL-8	250	90	4	19	22			90.9	40.4	18	N
5	MOT35N65T	TOLL-8	650	35	4	0.22	0.29			50	17	14	N
6	MOT1111T	TOLL-8	100	450	4	1.1	1.2	1.4(6V)	1.8(6V)	284	73	85	N
7	MOT1113T4	TOLL-8	100	399	4	1.1	1.3	1.5(6V)	2(6V)	161	69	56	N
8	MOT1113T_V1.1	TOLL-8	100	399	4	0.9	1.3	1.5(6V)	2(6V)	161	69	56	N
9	MOT1124	TOLL-8	100	246	4	2.2	2.4			131	46	27	N
10	MOT1126T	TOLL-8	100	250	4	2.2	2.6			131	50	24.5	N
11	MOT1130T	TOLL-8	100	176	4	3	4			100	43.4	19.7	N
12	MOT4103T	TOLL-8	40	715	4	0.3	0.38	0.84(6V)	1.1(6V)	216	69	46	N
13	MOT4111TV	TOLL-8	40	300	3	1.1	1.4	1.65	2	231	58	33	N
14	MOT4383T	TOLL-8	40	300	2	0.83	1.2	1.2	1.4	148	26	25	N
15	MOT4550T	TOLL-8	40	462	3.5	0.45	0.5	0.6(6V)	0.7(6V)	191	44	37	N
16	MOT4566T	TOLL-8	40	400	2	0.6	0.7	0.95	1.1(6V)	124	38	31	N
17	MOT4572T	TOLL-8	40	462	2	0.72	0.82	1	1.1(6V)	148	26	25	N
18	MOT4575HT	TOLL-8	40	450	4	0.65	0.75			107	31	27	N
19	MOT4582HT	TOLL-8	40	395	4	0.85	1			130	27	30	N
20	MOT5122T	TOLL-8	120	260	4	2	2.6	2.7(6V)	3.2(6V)	213	62	54	N
21	MOT5130T	TOLL-8	120	211	4	2.8	3.2	3.4(6V)	3.9(6V)	157	47	37	N
22	MOT5146T	TOLL-8	120	250	4	4.5	5.5	6.5(6V)	7.5(6V)	80	24	18	N
23	MOT6111T	TOLL-8	60	300	2.5	1.1	1.2			129	40.6	23.9	N
24	MOT6113HT	TOLL-8	60	318	4	1.3	1.6			97.7	29.7	31.3	N
25	MOT6556T	TOLL-8	60	400	3	0.5	0.6	0.98(6V)	1.15(6V)	145	47	34	N
26	MOT6586T	TOLL-8	60	300	3	0.85	1	1.28(6V)	1.5(6V)	151	27	34	N
27	MOT7136T	TOLL-8	150	226	4	3	3.6	4(6V)	5(6V)	158	48	39	N
28	MOT7146TV	TOLL-8	150	220	4	4.5	5	5(6V)	6(6V)	158	48	39	N
29	MOT7175T	TOLL-8	150	159	4.5	5.6	7.5			68	15	14	N
30	MOT8113T	TOLL-8	85	300	4	1.1	1.4			240	56	60	N
31	MOT8120T	TOLL-8	85	280	4	1.7	2			138	39	36	N
32	MOT8121T	TOLL-8	85	300	4	2.1	2.5			138	39	36	N
33	MOT8125T	TOLL-8	85	220	4	2.5	3			124	31.2	39	N
34	MOT8156T	TOLL-8	85	163	4	3.8	4.8			69	44	24	N
35	MOT8576T	TOLL-8	80	500	4	0.7	0.85	1.1(6V)	1.25(6V)	138	39	36	N
36	MOT9166T	TOLL-8	200	114	4	6	7.1	6.4(6V)	7.8(6V)	186	58	31	N
37	MOT9186T	TOLL-8	200	100	4	9.5	11.5			87	32	17.5	N
38	MOT1121T	TOLL-8	110	280	4	1.63	2.1			125	53	26	N
39	MOT1127T	TOLL-8	110	250	4	2.4	2.7			130	50	24	N
40	MOT8112T	TOLL-8	80	213	4	1.2	1.38	1.8(6V)	2.15(6V)	216	69	46	N
41	MOT6105T2	LPAK88	60	715	4	0.4	0.45	1.13(6V)	2.15.5	174	44	52	N
42	MOT1115T	TOLL-8	100	373	4	1.05	1.5	1.7(6V)	2.2(6V)	153	63	52	N
43	MOT1122T1	STOLL	100	160	4	2	2.2	3.3(6V)	4.0(6V)	118	35	38	N
44	MOT4592T	TOLL-8	40	420	2.5	0.82	1	1	1.3	140	24	30	N
45	MOT4590HT1	STOLL-8	40	320	4	0.9	1.1			68	21	13.4	N



中低压Trench SGT MOS (Low and Medium Voltage SGT/Trench Mosfet)

序号	Part-NO	Package	V _{DSS} [V](min)	ID [A](25°C)	VGS(th)[V] (max)	Rds(on) [mohm] at Vgs=				Qg [nC] at 10V	Qgs [nC]	Qgd [nC]	Configuration
						10V (TYP)	10V (MAX)	4.5V (TYP)	4.5V (MAX)				
1	MOT6152G	PDFN5*6	60	70	4	4.6	5.8			77	21	24	N
2	MOT4025D	TO252-4L	40	28	2	17	20	22	30	22.9	3.5	5.3	N+P
3			-40	-15	-2	29	35	34	45	22.9	3.5	5.3	
4	MOT80P03C	TO-251	-30	-80	2.5	4.7	7	6.7	8.5	125	26	20	P
5	MOT80P03D	TO-252											
6	MOT4133HC	TO-251	40	120	4	2.9	3.3			114	32	25	N
7	MOT4133HD	TO-252											
8	BSS123	SOT-23	100	0.17	2.8	2.8	6	3.2	10	1.4	0.15	0.2	N
9	MOT2N10B2	SOT-23	100	2	3	0.21	0.32	0.26	0.38	13	3.5	2	N
10	MOT2N7002	SOT-23	60	0.38	2.45		2.2		2.4				
11			30	30	2.5	9	11	10	13	22	2.8	5.2	
12	MOT3M012G	PDFN5*6-8L	-30	-30	-2.5	11	15	15	20	28	3.2	8.5	N+P
13	MOT3N10	SOT-23	100	3	3	200	250	210	270	18.2	3	4.1	N
14	MOT3N10B2	SOT-23	100	3	3	200	250	210	270	18.2	3	4.1	N
15	MOT5N10A3	SOT-23A-3L	100	5	3		130		180	18	3.76	8.5	N
16	MOT9N25C	TO-251	250	9	4	330	400			14.5	3.2	6.3	N
17	MOT9N25D	TO-252											
18	MOT10P03C	TO-251	-30	-10	-2.5	23	30	33	45	23	4	5	P
19	MOT10P03D	TO-252											
20	MOT15N10C	TO-251	100	15	3	80	100			24	4.6	7.6	N
21	MOT15N10D	TO-252											
22	MOT15N10E	TO-263	100	15	2.5	80	95	90	105	22.3	2.87	6.14	N
23	MOT16N65T	TOLL	650	16	4	0.43	0.5			57	15.4	15.8	N
24	MOT20N03BC	TO-251	30	20	2	8.8	15	14	20	17	2.8	3.9	N
25	MOT20N03BD	TO-252											
26	MOT20N03C	TO-251	30	20	2	9.7	15	13	20	17	2.8	3.9	N
27	MOT20N03D	TO-252											
28	MOT20P06C	TO-251	-60	-20	-2	55	65	65	85	23.4	4.1	4.8	P
29	MOT20P06D	TO-252											
30	MOT26P10C	TO-251	-100	-26	-2.7	76	100	84	110	53	11	13	P
31	MOT26P10D	TO-252											
32	MOT30N03C	TO-251	30	30	2.2	9.7	15	13	20	17	2.8	3.9	N
33	MOT30N03D	TO-252											
34	MOT30N06C	TO-251	60	30	2.5	20	30			20	6	9	N
35	MOT30N06D	TO-252											
36	MOT30N10BC	TO-251	100	30	2.5	32	42	34	45	27.6	5.5	6.9	N
37	MOT30N10BD	TO-252											
38	MOT30N10C	TO-251	100	30	2	23	35	24	35	27.6	5.5	6.9	N
39	MOT30N10D	TO-252											
40	MOT30P10C	TO-251	-100	-30	-3	48	57	50	60	73	17	9.1	P
41	MOT30P10D	TO-252											
42	MOT31N10C	TO-251	100	31	2.5	11	16	14	20	27.6	5.5	6.9	N
43	MOT31N10D	TO-252											
44	MOT40N02C	TO-251	20	40	1			9.5	11	32.5	2.5	11	N
45	MOT40N02D	TO-252											
46	MOT40N10C	TO-251	100	25	2.5	16	20	21	25	12.7	2.1	3.3	N
47	MOT40N10D	TO-252											
48	MOT40P04C	TO-251	-40	-40	-2.5	27	33	31	42	68	10	14	P
49	MOT40P04D	TO-252											
50	MOT45N03F	TO-220F	30	45	2	7	9	10	15	15	2.9	2.1	N
51	MOT45N03A	TO-220											

产品选型表 Production Selection

中低压Trench SGT MOS (Low and Medium Voltage SGT/Trench Mosfet)

序号	Part-NO	Package	V _{DSS} [V](min)	ID _(A) (25°C)	VGS(th)[V](max)	Rds(on) [mohm] at Vgs=				Qg [nC] at 10V	Qgs [nC]	Qgd [nC]	Configuration
						10V (TYP)	10V (MAX)	4.5V (TYP)	4.5V (MAX)	Typ	Typ	Typ	
52	MOT45N10C	TO-251	100	45	3	18	23	22	27	26	7.4	3.8	N
53	MOT45N10D	TO-252				7	8.5	18	3.5	5.5	N		
54	MOT50N02C	TO-251	20	50	1								N
55	MOT50N02D	TO-252											
56	MOT50N03BC	TO-251	30	50	2.5	7.5	9	11	14	6	1.9	3.7	N
57	MOT50N03BD	TO-252											
58	MOT50N03D	TO-252	30	50	2	7.3	10	11	13	6	1.9	3.7	N
59	MOT50N03C	TO-251											
60	MOT50N04C	TO-251	40	50	3	8	10	11	15	48	10	10	N
61	MOT50N04D	TO-252											
62	MOT50N06C	TO-251	60	50	2.5	13	18			7.2	0.4	0.8	N
63	MOT50N06D	TO-252											
64	MOT50N10C	TO-251	100	50	2.5	12	16	16	20	19	4	5	N
65	MOT50N10D	TO-252											
66	MOT50P02C	TO-251	-20	-50	-1.45			15	18	35	5	10	P
67	MOT50P02D	TO-252											
68	MOT50P03C	TO-251	-30	-50	-2.5	8.5	10			84	11.7	25	P
69	MOT50P03D	TO-252											
70	MOT50P06C	TO-251	-60	-50	-3	24	28	30	35	72	19	9.8	P
71	MOT50P06D	TO-252											
72	MOT55N06B	TO-220C	60	55	4	17	22			36	9.9	6.6	N
73	MOT60N02AC	TO-251	20	60	1.1	4.2	5.5	5.2	7	35	3	10	N
74	MOT60N02AD	TO-252											
75	MOT60N02BC	TO-251	20	60	1.1	5	6.5	6	7.5	35	3	10	N
76	MOT60N02BD	TO-252											
77	MOT60N02C	TO-251	20	60	1.1	5	6.5	6.5	8	35	3	10	N
78	MOT60N02D	TO-252											
79	MOT60N03C	TO-251	30	60	3	6.5	9	10.5	15	9.6	3.4	3.4	N
80	MOT60N03D	TO-252											
81	MOT70N03C	TO-251	30	70	3	5.5	6.6	8	11.5	16	5	10.3	N
82	MOT70N03D	TO-252											
83	MOT75N75A	TO-220	75	75	3	8	10	10	12	120	10	14	N
84	MOT75N75F	TO-220F											
85	MOT75N75C	TO-251	75	75	3	7.5	9.5			41	11	18	N
86	MOT75N75D	TO-252											
87	MOT80N03BC	TO-251	30	80	3	3.7	5.2	5.5	7	98	10	16	N
88	MOT80N03BD	TO-252											
89	MOT80N03C	TO-251	30	80	3	4	6	6	7.5	98	10	16	N
90	MOT80N03D	TO-252											
91	MOT80N03XC	TO-251	30	80	3	4	6	7	8.5	98	10	16	N
92	MOT80N03XD	TO-252											
93	MOT80N06A	TO-220	60	80	4	7	9			90.3	10.9	20.6	N
94	MOT80N06E	TO-263											
95	MOT80N06C	TO-251	60	80	4	6	7			90.3	10.9	20.6	N
96	MOT80N06D	TO-252											
97	MOT80P06C	TO-251	-60	-80	-3	12	15	14	20	72	19	9.8	P
98	MOT80P06D	TO-252											
99	MOT90N02C	TO-251	20	90	1.1			3.2	4.3	15	3	4	N
100	MOT90N02D	TO-252											
101	MOT90N03C	TO-251	30	90	2.5	3.4	4.2	6.9	9.5	67	13.7	10.3	N
102	MOT90N03D	TO-252											

中低压Trench SGT MOS (Low and Medium Voltage SGT/Trench Mosfet)

序号	Part-NO	Package	V _{DSS} [V](min)	ID _(A) (25°C)	VGS(th)[V](max)	Rds(on) [mohm] at Vgs=				Qg [nC] at 10V	Qgs [nC]	Qgd [nC]	Configuration
						10V (TYP)	10V (MAX)	4.5V (TYP)	4.5V (MAX)	Typ	Typ	Typ	
103	MOT90N06A	TO-220	60	90	2.5	6.7	8	8.2	9.8	11.7	13.1	6.9	N
104	MOT90N06E	TO-263											
105	MOT91N06C	TO-251	60	91	2.4	4.4	6	6.3	7.5	73	12.5	11	N
106	MOT91N06D	TO-252											
107	MOT100N03MC	TO-251	30	100	3	3.4	4.5	4.7	6	50	20.8	19	N
108	MOT100N03MD	TO-252											
109	MOT100N07A	TO-220	70	100	4	5.2	6.5			100	21	30	N
110	MOT100N07E	TO-263											
111	MOT100N07C	TO-251	70	100	4	5.2	6.5			100	21	30	N
112	MOT100N07D	TO-252											
113	MOT110N03C	TO-251	30	110	2.5	3.5	5	5.5	7	70	8.8	16.3	N
114	MOT110N03D	TO-252											
115	MOT120N03C	TO-251	30	120	2.5	3	3.5			79	9	18	N
116	MOT120N03D	TO-252											
117	MOT120N10A	TO-220	100	129	4	4.3	5.5			84.7	30.6	18.3	N
118	MOT120N10E	TO-263											
119	MOT120N10C	TO-251	100	120	2.5	6	7.5			42	9.7	10.6	N
120	MOT120N10D	TO-252											
121	MOT120N85A	TO-220	85	120	4	5.4	7			55	15	13	N
122	MOT120N85E	TO-263											
123	MOT120N85C	TO-251	85	120	4	5	7			55	15	13	N
124	MOT120N85ED	TO-252											
125	MOT130N03C	TO-251	30	130	2	2.3	3.5	3.4	4.5V	80	12.4	18.3	N
126	MOT130N03D	TO-252											
127	MOT120N85F	TO-220F	85	120	4	5.4	7			55	15	13	N
128	MOT140N04D	TO-252	40	140	2.5	2.8	3.2	3.7	4.5	42	10	7	N
129	MOT140N04C	TO-251											
130	MOT150N03A	TO-220	30	150	3	3.9	4.5	5	5.5	56	15	23	N
131	MOT150N03C	TO-251											
132	MOT150N03D	TO-252	30	150	3	1.5	2.3	2.2	3.2	56	15	23	N
133	MOT150N10A	TO-220											
134	MOT150N10E	TO-263	100	150	4	3.4	4.5			113	39.5	25.6	N
135	MOT180N08A	TO-220	100	180	4	3	4			158	52	29	N
136	MOT180N08E	TO-263											
137	MOT180N10A	TO-220	100	180	4	3	4			158	52	29	N
138	MOT180N10E	TO-263											
139	MOT250N10A	TO-220	100	250	4	1.9	2.5			102	24	22	N
140	MOT250N10E	TO-263											
141	MOT504B7	SOT-723		0.001	-1.2								N
142	MOT1120N	TO-247	100	280	4	1.6	2			131	50	24.5	N
143	MOT1145D	TO-252	100	90	3	4.4	5.2	7	8.6	42	6.5	9.7	N
144	MOT1145C	TO-251											
145	MOT1145G	PDFN5*6-8L	100	90	3	4	5	6	8	42	6.5	9.7	N
146	MOT1165G	PDFN5*6-8L	100	80	2.5	6.2	7.5	8.8	10	70	14.5	16.8	N
147	MOT1180G	PDFN5*6-8L	100	65	2.5	8.7	10	11	14	54	10	14	N
148	MOT1512S	SOP8	100	8.1	3	13.5	16	17	22	12.7	2.1	3.3	N
149	MOT1514G	PDFN5*6	100	38	2.5	11.6	14	16.5	22	26	4.3	6.8	N
150	MOT1514J	PDFN3*3	100	38	2.5	11.6	14	16.5	22	26	4.3	6.8	N
151	MOT1519G	PDFN5*6-8L	100	30	2.5	19	26	22	28	67.2	9.4	15.5	N
152	MOT1532C	TO-251	100	18.9	3	24	32	32	42	6.8	1	1.8	N
153	MOT1532D	TO-252											

产品选型表 Production Selection

中低压Trench SGT MOS (Low and Medium Voltage SGT/Trench Mosfet)

序号	Part-NO	Package	V _{DSS} [V](min)	ID(A)(25°C)	VGS(th)[V](max)	Rds(on) [mohm] at Vgs=				Qg [nC] at 10V	Qgs [nC]	Qgd [nC]	Configuration
						10V (TYP)	10V (MAX)	4.5V (TYP)	4.5V (MAX)				
154	MOT1532G	PDFN5*6-8L	100	18.9	3	24	32	32	42	6.8	1	1.8	N
155	MOT1532J	PDFN3*3-8L	100	18.9	3	24	32	32	42	6.8	1	1.8	N
156	MOT1585S	SOP8	100	5	2	82	95	87	105	21.8	2.7	5	N
157	MOT1719G	PDFN5*6-8L	-100	-55	-4	16	25			52.1	16.7	7.1	N
158	MOT1793C	TO-251	-100	-18	-3	85	93	95	105	61	14	29	P
159	MOT1793D	TO-252	-100	-18	-3	85	93	95	105	61	14	29	P
160	MOT1793G	PDFN5*6	-100	-18	-3	85	93	95	105	61	14	29	P
161	MOT1793J	PDFN3*3	-100	-18	-3	85	93	95	105	61	14	29	P
162	MOT2090C	TO-251	20	90	1.1	3.5	4.3	5	6	15	3	4	N
163	MOT2090D	TO-252	20	90	1.1	3.5	4.3	5	6	15	3	4	N
164	MOT2125G	PDFN5*6-8L	20	140	1	2.1	2.5	2.6	3.5	65	8	12	N
165	MOT2135G	PDFN5*6-8L	20	60	1	3	3.5	3.8	5	65	8	12	N
166	MOT2135J	PDFN3*3-8L	20	60	1	3.2	3.5	3.8	5	65	8	12	N
167	MOT2144EJ22	DFN3*3	20	15	1	3.4	4.2	4.1	4.9	41.5	3.8	10.9	N+N
168	MOT2155J	PDFN3*3	20	60	11	4.7	5.5	5.5	7	35	3	10	N
169	MOT2165J	PDFN3*3-8L	20	55	1.2		5.2	6.5		35	1	8.3	N
170	MOT2176C	TO-251	20	25	1		5.6	7		19	3	5.5	N
171	MOT2176D	TO-252	20	25	1		5.6	7		19	3	5.5	N
172	MOT2176G	PDFN5*6-8L	20	25	1		6.3	7.2		19	3	5.5	N
173	MOT2176J	PDFN3*3-8L	20	25	1		6.3	7.2		19	3	5.5	N
174	MOT2300B2	SOT-23	20	4.5	1.2		21	28	11.1	1.1	3.4		N
175	MOT2301AB2	SOT-23	-20	-3	1		60	100	5.8	0.85	1.7		P
176	MOT2301B2-2A	SOT-23	-20	-2	-1		87	120	3	0.5	0.8		P
177	MOT2301SB2	SOT-23	-20	-2.3	-1		104	120	3	0.5	0.8		P
178	MOT2302	SOT-23	18	2.3	1.2		45	60	2.9	0.4	0.6		N
179	MOT2302AB2	SOT-23	20	3	1.2		35	50	2.9	0.4	0.6		N
180	MOT2302B2	SOT-23	20	2	1.2		0.055	0.07	4	0.65	1.5		N
181	MOT2302B2-4A	SOT-23	20	4	1.2		23	30	4	0.6	1.2		N
182	MOT2305AB2	SOT-23	-20	-6	-1.2		29	45	12.5	2.5	1.8		P
183	MOT2305CB2	SOT-23	-20	-6	-1.2		33	40	12.5	2.5	1.8		P
184	MOT2307A3	SOT-23A-3L	-20	-10	-1.4		18	28	15	1.8	2.8		P
185	MOT2307CA3	SOT-23A-3L	-20	-10	-1.4		22	28	15	1.8	2.8		P
186	MOT2310B2	SOT-23	60	3	2	73	100	89	115	7.5	1.4	3	N
187	MOT2312B2	SOT-23	20	6.8	1.2		14	19	9	1.5	2.5		N
188	MOT2319A3	SOT-23A-3L	-15	-10	-1.5		19	26	16	4	3		P
189	MOT2319B2	SOT-23	-15	-10	-1.5		19	26	16	4	3		P
190	MOT2319J	PDFN3*3-8L	-15	-55	-1.5	8.5	13	11.5	16	56	8	16	P
191	MOT2325A3	SOT-23A-3L	-15	-7.5	-1.5		24	34	8.8	1.4	1.9		P
192	MOT2325B2	SOT-23	-15	-7.5	-1.5		24	34	8.8	1.4	1.9		P
193	MOT2514J	PDFN3*3-8L	20	12	1.2		10	14	42	10.8	9.2		N
194	MOT2518J2	DFN2*2-6L	-15	-8	-0.9		16	22	36	3.4	2.2		P
195	MOT2620J	PDFN3*3	20	20	1		9	15	17	4	4.7		N+P
196			-20	-20	-1		13	18	16	3	4		
197	MOT2718J	PDFN3*3-8L	-20	-10	-2.5		13	18	10	2	2.7		P
198	MOT2914J	PDFN3*3	20	12	1.2		10	14	42	10.8	9.2		N+N
199	MOT2914S	SOP8	20	12	2.5		8	14	42	10.8	9.2		N+N
200	MOT3012D	TO-252	30	30	2.5	9	11	10	13	22	2.8	5.2	N+P
201			-30	-30	-2.5	11	15	15	20	28	3.2	8.5	
202	MOT3029D	TO-252	30	12	2.5	15	25	23	32	5.5	1.25	2.5	N+P
203			-30	-11.5	-2.5	25	35	35	45	11	2.8	4	

中低压Trench SGT MOS (Low and Medium Voltage SGT/Trench Mosfet)

序号	Part-NO	Package	V _{DSS} [V](min)	ID(A)(25°C)	VGS(th)[V](max)	Rds(on) [mohm] at Vgs=				Qg [nC] at 10V	Qgs [nC]	Qgd [nC]	Configuration
						10V (TYP)	10V (MAX)	4.5V (TYP)	4.5V (MAX)				
204	MOT3029G	PDFN5*6	30	12	2.5	16	22	22	28	19	6.3	4.5	N+P
205			-30	-10	-2.5	25	30	34	40	24	3.7	4.8	
206	MOT3112G	PDFN5*6-8L	30	170	2	1.25	1.45	1.8	2.2	98	16	11	N
207	MOT3114G	PDFN5*6-8L	30	170	2	1.4	1.65	1.8	2.2	98	16	11	N
208	MOT3117J	PDFN3*3-8L	30	65	2.5	2.3	2.7	2.9	3.3	34.8	6.2	15.5	N
209	MOT3128G	PDFN5*6	30	140	3	2	2.8	3.8	5	80	12.4	18.3	N
210	MOT3130C	TO-251	30	130	2	2.5	3.3	3.6	4.5	80	12.4	18.3	N
211	MOT3130D	TO-252											
212	MOT3133C	TO-251	30	100	2.5	2.6	3.3	4.2	5.2	58	12	13	N
213	MOT3133D	TO-252											
214	MOT3136A	TO-220	30	120	3	4	5	5.6	6.5	79	9	18	N
215	MOT3136E	TO-263											
216	MOT3136C	TO-251	30	120	3	2.4	3.6	3.8	4.5	79	9	18	N
217	MOT3136D	TO-252											
218	MOT3136G	PDFN5*6-8L	30	120	3	2.4	3.6	3.8	4.5	79	9	18	N
219	MOT3136J	PDFN3*3-8L	30	120	3	3.2	4	5	6	79	9	18	N
220	MOT3136S	SOP8	30	21	3	4.6	5.5	6.3	7.2	70	8.8	16.3	N
221	MOT3138C	TO-251	30	120	3	2.8	3.8	4	4.8	58	13	21	N
222	MOT3138D	TO-252											
223	MOT3138G	PDFN5*6-8L	30	120	3	3.2	4	4.7	6	58	13	21	N
224	MOT3138J	PDFN3*3-8L	30	120	3	3.2	4	5	6	58	13	21	N
225	MOT3140G	PDFN5*6	30	110	2.5	2.5	4	4.5	7	66.3	7	17.2	N
226	MOT3140S	SOP8	30	20	2.5	5.1	6.1	6.9	8	45	3	15	N
227	MOT3141C	TO-251	30	105	2.5	3	4.2	4.7	5.6	55	5.9	14.4	N
228	MOT3141D	TO-252											
229	MOT3141G	PDFN5*6-8L	30	105	2.5	3	4.2	4.7	5.6	55	5.9	14.4	N
230	MOT3141J	PDFN3*3	30	85	2.5	4.1	5	6	7.5	55	5.9	14.4	N
231	MOT3142J	PDFN3*3	30	60	1	5	6.2	7	8	34.6	7.8	3.5	N
232	MOT3145G	PDFN5*6-8L	30	85	2.5	3.8	4.5	5	6.5	31.3	3.7	8	N
233	MOT3145J	PDFN3*3-8L	30	85	2.5	3.8	4.5	5.6	6.5	31.3	3.7	8	N
234	MOT3145S	SOP8	30	20	2.5	4.7	6	6.2	8	45	3	15	N
235	MOT3150G	PDFN5*6-8L	30	65	2.2	4	5	8	9	38.4	5.8	7.9	N
236	MOT3150J	PDFN3*3-8L	30	65	2.2	5	6	8	9	38.4	5.8	7.9	N
237	MOT3165G	PDFN5*6-8L	30	60	3	6.5	9	10.5	15	9.6	3.4	3.4	N
238	MOT3165J	PDFN3*3-8L	30	60	3	6.5	9	10.5	15	9.6	3.4	3.4	N
239	MOT3180C	TO-251	30	40	2.5	5.3	7	8.8	10	30.3	6.4	8.9	N
240	MOT3180D	TO-252											
241	MOT3180G	PDFN5*6-8L	30	50	2.5	5.5	6.5	9	13	32.3	4.9	6.9	N
242	MOT3180J	PDFN3*3-8L	30	40	2.5	5.5	8	9	13	32.3	4.9	6.9	N
243	MOT3180S	SOP8	30	20	3	8.2	9	10.5	11.2	45	3	15	N
244	MOT3210J	PDFN3*3	30	25	2.5	8	10	10	13	23	4.5	5.5	N+N
245	MOT3337G	PDFN5*6	-30	-60	-2.1	3	3.7	4.7	5.8	118.7	16.1	30.7	P
246	MOT3380J	PDFN3*3	-30	-47	-2.2	8	11	15	20	45.6	4.6	11.1	P
247	MOT3390G	PDFN5*6-8L	-30	-50	-2.2	6.5	9	9	12	81.3	13.8	8.3	P
248	MOT3390J	PDFN3*3	-30	-30	-2.2	7.4	10	11	15	81.3	13.8	8.3	P
249	MOT3400A3-5.8	SOT-23-3L	30	5.8	1.4	22	30	24	30				N
250	MOT3400AB2	SOT-23	30	5.8	1.4	22	30	24	30				N
251	MOT3400B2	SOT-23	30	4	1.4	27	40	31	54				N
252	MOT3401AA3	SOT-23A-3L	-30	-4.2	-1.3	40	60	44	65	9.4	2	3	P

产品选型表 Production Selection

中低压Trench SGT MOS (Low and Medium Voltage SGT/Trench Mosfet)

序号	Part-NO	Package	V _{DSS(V)} (min)	ID _(A) (25°C)	VGS(th)[V] (max)	Rds(on) [mohm] at Vgs=				Qg [nC] at 10V Typ	Qgs [nC] Typ	Qgd [nC] Typ	Configuration
						10V (TYP)	10V (MAX)	4.5V (TYP)	4.5V (MAX)				
253	MOT3401AB2	SOT-23	-30	-4.2	-1.3	48	55	53	65	9.4	2	3	P
254	MOT3404B2	SOT-23	30	5.8	1.4	20	26	26	32				N
255	MOT3407A3	SOT-23A-3L	-30	-4.1	-3	36	55	49	70				P
256	MOT3407B2	SOT-23	-30	-4.1	-3	36	55	49	70				P
257	MOT3415A3	SOT-23A	-20	-4	-1			32	40	9.3	1	2.2	P
258	MOT3415B2	SOT-23	-20	-4	-1			32	40	9.3	1	2.2	P
259	MOT3419A3	SOT-23A-3L	-30	-7	-2.5	17	25	22	30	16	3	3	P
260	MOT3510G	PDFN5*6	30	25	2.5	7.5	10	14	19	32.3	4.9	6.9	N
261	MOT3510J	PDFN3*3	30	25	2.5	9.3	11	13	16	32.3	4.9	6.9	N
262	MOT3512J	PDFN3*3-8L	30	35	3	10	13	13	17	45	9.4	7.7	N
263	MOT3520G	PDFN5*6-8L	30	8	3	15	20	20	25	19.4	2.5	5	N
264	MOT3520J	PDFN3*3-8L	30	8	3	15	20	20	25	19.4	2.5	5	N
265	MOT3617G	PDFN5*6	30	30	2.5	10	14	15	18	22	2.8	5.2	N+P
266			-30	-20	-2.5	16	20	22	25	28	3.2	8.5	
267	MOT3617J	PDFN3*3	30	30	2.5	10	14	15	18	22	2.8	5.2	N+P
268			-30	-20	-2.5	16	20	22	25	28	3.2	8.5	
269	MOT3618G	PDFN5*6	30	30	2.5	10	14	15	18	22	2.8	5.2	N+P
270			-30	-20	-2.5	16	20	22	25	28	3.2	8.5	
271	MOT3628G	PDFN5*6	30	25	2.5	9	13	13	19	9.5	2	1.9	N+P
272			-30	-19	-2.5	25	28	35	42	16.2	2.9	3.6	
273	MOT3628J	PDFN3*3	30	25	3	10	13	15	19	9.5	2	1.9	N+P
274			-30	-19	-2.5	18	28	32	42	16.2	2.9	3.6	
275	MOT3650A6	SOT-23A-6L	30	6	3	17	25	22	30	14.8	2.6	2.9	N+P
276			-30	-6	-2.5	32	39	45.5	51	11.1	2	2.6	
277	MOT3650J	PDFN3*3	30	6	3	17	25	22	30	14.8	2.6	2.9	N+P
278			-30	-6	-2.5	32	39	45.5	51	11.1	2	2.6	
279	MOT3710G	PDFN5*6-8L	-30	-25	-2.5	7.5	10	11	14	45.6	4.6	11	P
280	MOT3710J	PDFN3*3-8L	-30	-25	-2.5	7.5	10	11	14	45.6	4.6	11	P
281	MOT3710S	SOP8		-25	-2.5	7.5	10	11	14	45.6	4.6	11	P
282	MOT3712G	PDFN5*6-8L	-30	-20	-2.5	14	18	9.5	12	10	2	2.7	P
283	MOT3712J	PDFN3*3-8L	-30	-20	-2.5	14.5	20	10.5	12	10	2	2.7	P
284	MOT3712S	SOP-8L	-30	-20	-2.5	14	18	9.5	12	10	2	2.7	P
285	MOT3717C	TO-251	-30	-15	-2.5	13	17	22	28	22	4	5.8	P
286	MOT3717D	TO-252											
287	MOT3718J	PDFN3*3	-30	-35	-2.5	13	18	21	27	31.2	3.2	9.2	P
288	MOT3728J	PDFN3*3	-30	-10	-1.5	23	30	33	40	27	6	7	P
289	MOT3816S	SOP8	-30	-13	-1.2	16	20	18	22	36	6.5	4.6	P
290	MOT3817J	PDFN3*3	-30	-11	-2.5	16	20	22	28	31.2	3.2	9.2	P+P
291	MOT3818G	PDFN5*6-8L	-30	-11	-2.5	13.5	18	22	28	22	4	5.8	P+P
292	MOT3910G	PDFN5*6	30	25	2.5	11	13.5	15	19	23	4.5	5.5	N+N
293	MOT3910J	PDFN3*3	30	25	2.5	7.5	10	14	19	23	4.5	5.5	N+N
294	MOT4025G	PDFN5*6	40	-40	2	17	22	22	30	22.9	3.5	5.3	N+P
295			28	-15	-2	26	35	31	45	22.9	3.5	5.3	
296	MOT4037S	SOP8	40	8	2.5	25	30	30	35	12	3.2	3.1	N+P
297			-40	-6	-2.5	75	90	82	95	13	3.8	3.1	
298	MOT4106HG	PDFN5*6-8L	40	324	4	0.76	0.8			99	30	24	N
299	MOT4112G	PDFN5*6-8L	40	210	2.5	1.35	1.65	1.7	2.5	65	12.5	15	N
300	MOT4117C	TO-251											
301	MOT4117D	TO-252	40	170	2.2	1.14	1.5	1.45	1.8	125	18	13	N
302	MOT4117G	PDFN5*6-8L	40	170	2.2	1.14	1.5	1.45	1.8	125	18	13	N
303	MOT4122J	PDFN3*3-8L	40	130	2.5	1.6	2.2	2.2	2.9	36	5	7	N

中低压Trench SGT MOS (Low and Medium Voltage SGT/Trench Mosfet)

序号	Part-NO	Package	V _{DSS(V)} (min)	ID _(A) (25°C)	VGS(th)[V] (max)	Rds(on) [mohm] at Vgs=				Qg [nC] at 10V Typ	Qgs [nC] Typ	Qgd [nC] Typ	Configuration
						10V (TYP)	10V (MAX)	4.5V (TYP)	4.5V (MAX)				
304	MOT4124C	TO-251	40	100	2.5	1.9	2.4	2.5	3.2	89	18	21	N
305	MOT4124D	TO-252											
306	MOT4124G	PDFN5*6-8L	40	100	2.5	1.9	2.4	2.5	3.2	89	18	21	N
307	MOT4128G	PDFN5*6-8L	40	140	2.5	2.8	3.2	3.7	4.5	42	10	7	N
308	MOT4131HG	PDFN5*6-8L	40	135	4	2.6	3.1			33	10	10	N
309	MOT4133G	PDFN5*6	40	85	2.2	2.9	4	3.9	5.2	42	8.1	8.8	N
310	MOT4133HF	TO-220	40	120	4	2.9	3.3			114	32	25	N
311	MOT4133HA	TO-220F											
312	MOT4133J	PDFN3*3	40	85	2.2	3.3	4	4.3	5.2	42	8.1	8.8	N
313	MOT4134J	PDFN3*3-8L	40	117	4	3.2	3.6			22	7.5	3.5	N
314	MOT4137C	TO-251	40	100	2.5	2.6	3.7	3	4.5	65	12.5	15	N
315	MOT4137D	TO-252											
316	MOT4137G	PDFN5*6-8L	40	100	2.5	2.6	3.7	3	4.5	65	12.5	15	N
317	MOT4160C	TO-251	40	80	3	4.3	6	5.7	7	54.3	6.9	14.5	N
318	MOT4160D	TO-252											
319	MOT4160G	PDFN5*6-8L	40	86	2.2	4.5	6	6.2	7.5	24	3.8	4.5	N
320	MOT4160J	PDFN3*3-8L	40	86	2.2	5.2	6	7	7.5	24	3.8	4.5	N
321	MOT4164C	TO-251	40	80	3	4.3	5.5	5.7	7	54.3	6.9	14.5	N
322	MOT4164D	TO-252											
323	MOT4166G	PDFN5*6-8L	40	75	2.5	6.2	7	7.8	8.6	24	3.8	4.5	N
324	MOT4170G	PDFN5*6	40	45	2.5	6	7.2	7.7	9.2	17.6	3.5	3.1	N
325	MOT4170J	PDFN3*3-8L	40	45	2.5	6	7.2	7.7	9.2	17.6	3.5	3.1	N
326	MOT4180G	PDFN5*6-8L	40	60	2.5	6.5	8	9.5	13	29	4.5	6.4	N
327	MOT4180J	PDFN3*3-8L	40	60	2.5	7.5	8.5	10.5	13	29	4.5	6.4	N
328	MOT4435BS	SOP8	-30	-8.8	-2.5	21	25	33	40	28	5.2	7.4	P
329	MOT4435S	SOP8	-30	-8.8	-2.5	14	18	23	30	28	5.2	7.4	P
330	MOT4513G	PDFN5*6-8L	40	40	2.5	11	13	14	17	40	4.4	10.3	N
331	MOT4513J	PDFN3*3	40	40	2.5	11	13	14	17	40	4.4	10.3	N
332	MOT4517G	PDFN5*6-8L	40	40	2.5	11	15	15	18	37	8	7	N
333	MOT4523D	TO-252	40	10	2.3	18	23	22	27	26	6	5	N
334	MOT4523C	TO-251											
335	MOT4526B2	SOT-23	40	5	1.2	25	30	28	32	15.5	2.9	3.5	N
336	MOT4606S	SOP-8L	30	6.5	2.5	14	19	20	27	14.2	1.8	3.3	N+P
337			-30	-7	-2	30	37	47	55	21.3	2.2	4.5	
338	MOT4615S	SOP8	40	8	2.5	17	22	22	28	12	3.2	3.1	N+P
339			-40	-7.2	-2.4	44	50	54	65	20	12	46	
340	MOT4618D	TO252-4L	40	28	2.5	16	22	19	26	22.9	3.5	5.3	N+P
341			-40	-25	-2.5	14	17	18	22	42.2	6.9	9.7	
342	MOT4625S	SOP-8L	40	10	2.5	18	25	24	28	11	1.9	2.2	N+P
343			-40	-10	-2.5	22	25	31	36	20	3.5	4.2	
344	MOT4633G	PDFN5*6-8L	40	28	2	12	17	25	7	28	3.9	5.9	N+P
345			-40	-15	-2	29	35	34	45	26	3.7	6	
346	MOT4633G	PDFN3*3-8L	40	28	2	12	17	25	28	28	3.9	5.9	N+P
347			-40	-15	10	29	35	34	45	20	3.7	6	
348	MOT4633J	PDFN3*3-8L	40	28	2	12	17	25	28	28	3.9	5.9	N+P
349			-40	-15	-2	29	35	34	45	26	3.7	6	
350	MOT4633S	SOP-8L	40	15	2	13	17	17	25	28	3.9	5.9	N+P
351			-40	-15	-2	22	26	32	36	26	3.7	6	
352	MOT4648J	PDFN3*3	40	15	2.5	15	22	20	30	23	3.5	4	N+P
353			-40	-15	-2.3	31	40	38	49	22	4	4	

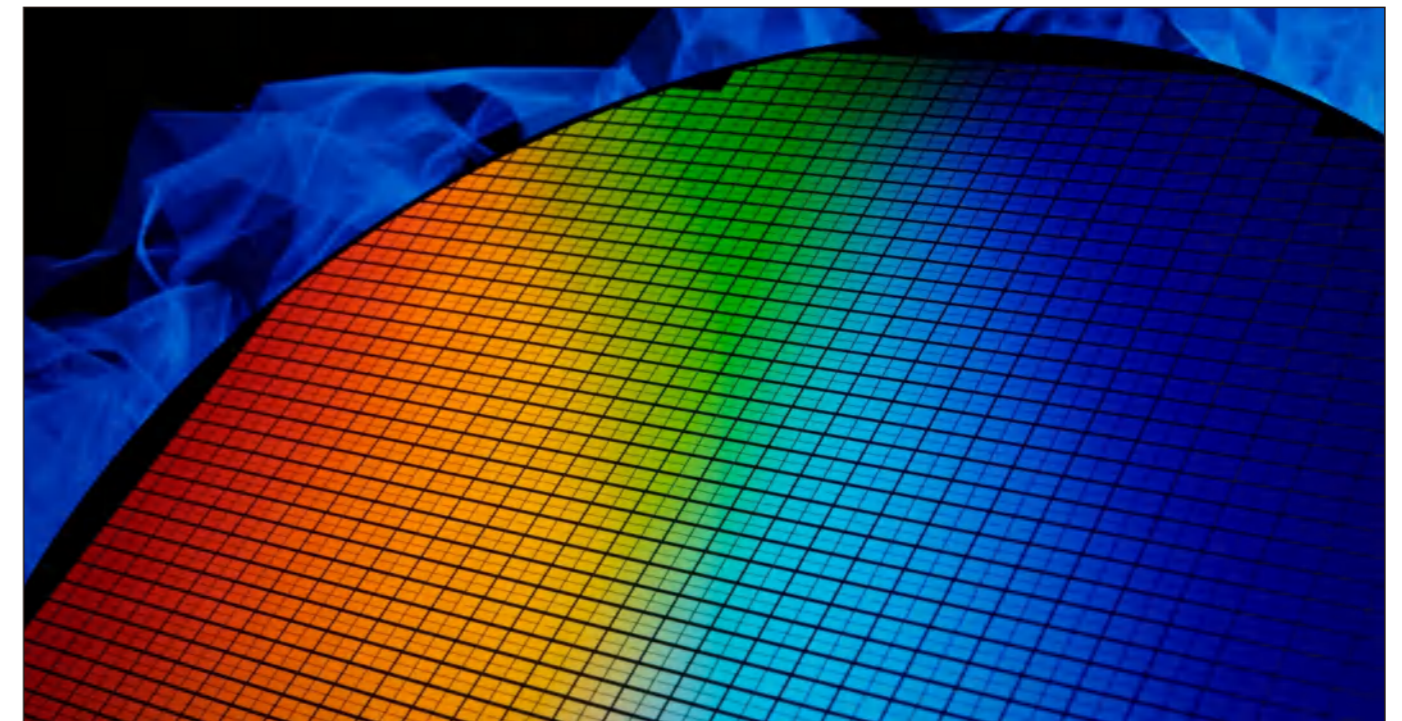
产品选型表 Production Selection

中低压Trench SGT MOS (Low and Medium Voltage SGT/Trench Mosfet)

序号	Part-NO	Package	V _{DSS} [V](min)	ID _(A) (25°C)	VGS(th)[V](max)	Rds(on) [mohm] at Vgs=				Qg [nC] at 10V Typ	Qgs [nC] Typ	Qgd [nC] Typ	Configuration
						10V (TYP)	10V (MAX)	4.5V (TYP)	4.5V (MAX)				
354	MOT4648S	SOP-8L	40	15	2.5	15	22	20	30	23	3.5	4	N+P
355			-40	-15	-2.3	31	40	38	49	22	4	4	
356	MOT4656S	SOP8	40	8	2	23	30	26	32	12	3.2	3.1	N+P
357			-40	-6	-2.5	43	56	55	65	13	3.8	3.1	
358	MOT4674S	SOP-8L	40	8	2.5	24	30	32	40	12	3.2	3.1	N+P
359			-40	-6	-2.5	54	66	73	81	13	3.8	3.1	
360	MOT4710G	PDFN5*6-8L	-40	-50	-2.5	7	9.5	8	10	115	23	20	P
361	MOT4712G	PDFN5*6-8L	-40	-30	-2.5	10	12.5	13	17	68	10	14	N
362	MOT4712J	PDFN5*6-8L	-40	-30	-2.5	10	12.5	13	17	68	10	14	P
363	MOT4712S	SOP8	-40	-12	-2.5	11	13	14	17	42	7.3	8.5	P
364	MOT4733J	PDFN3*3-8L	-40	-15	-2.5	25	33	33	42	232	2.2	6.5	P
365	MOT4913G	PDFN5*6	40	40	2.5	12	15	16	20	40	4.4	13	N+N
366	MOT4913J	PDFN3*3	40	40	2.5	12	15	16	20	40	4.4	13	N+N
367	MOT4913S	SOP8	40	10	2.5	13	15	17	19	26	6	5	N+N
368	MOT4922S	SOP8	40	15	2.5	17	22	21	25	60	8.1	16.9	N+N
369	MOT5165G	PDFN5*6-8L	120	90	3	6.5	8	7	9	75.5	21.3	8.1	N
370	MOT6111G	PDFN5*6-8L	60	226	2.5	1.65	2	2.2	2.5	75	36	14.2	N
371	MOT6113G	PDFN5*6-8L	60	252	3.8	1.1	1.3			97	34	18	N
372	MOT6129C	TO-251	80	114	2.5	3.4	4	4.4	5.5	39	8.1	6.7	N
373	MOT6129D	TO-252											
374	MOT6129G	PDFN5*6-8L	60	114	2.5	3.2	4	5.2	6	39	18.7	5.1	N
375	MOT6142C	TO-251	60	90	2.5	4.3	3.3	5.7	7	39	8.4	6.8	N
376	MOT6142D	TO-252											
377	MOT6142G	PDFN5*6-8L	60	90	2.5	4.3	5.3	5.7	7	39	8.4	6.8	N
378	MOT6142J	PDFN3*3-8L	60	90	2.5	4.7	5.7	6.5	7.5	39	8.4	6.8	N
379	MOT6162C	TO-251	60	85	2.4	6.2	7	8.5	9.5	26	8.3	5.5	N
380	MOT6162D	TO-252											
381	MOT6162G	PDFN5*6-8L	60	85	2.4	6.2	7	8.5	9.5	26	8.3	5.5	N
382	MOT6180C	TO-251	60	50	2.5	8	9	10	12	34.8	7	5.3	N
383	MOT6180D	TO-252											
384	MOT6180G	PDFN5*6-8L	60	50	2.5	8	9	10	12	34.8	7	5.3	N
385	MOT6180J	PDFN3*3-8L	60	50	2.5	8	9	10	12	34.8	7	5.3	N
386	MOT6194C	TO-251	60	55	4	7.2	9.4			48	13	18	N
387	MOT6194D	TO-252											
388	MOT6194G	PDFN5*6-8L	60	55	4	7.2	9.4			48	13	18	N
389	MOT6511G	PDFN5*6	60	35	3	9	11	14	19	22.6	4.7	3.7	N
390	MOT6512C	TO-251	60	75	2.5	8.8	10	11	13	77	14	13	N
391	MOT6512D	TO-252											
392	MOT6512G	PDFN5*6-8L	60	75	2.5	8.8	10	11	13	77	14	13	N
393	MOT6514G	PDFN5*6-8L	60	50	2.5	11	14	15	19	34.8	7	5.3	N
394	MOT6515G	PDFN5*6-8L	60	50	2.5	11	15	15	20	50	10	9	N
395	MOT6515J	PDFN3*3-8L	60	50	2.5	13	15	15	20	50	10	9	N
396	MOT6515S	SOP8	60	12.7	2.5	14	15	17	19	13	1.6	3.1	N
397	MOT6522C	TO-251	60	35	2.5	15	22	19	26	45	8	11	N
398	MOT6522D	TO-252											
399	MOT6522G	PDFN5*6-8L	60	35	2.5	16	22	21	26	45	8	11	N
400	MOT6522J	PDFN3*3-8L	60	35	2.5	16	22	21	26	45	8	11	N
401	MOT6525G	PDFN5*6-8L	60	30	3	23	30	30	40	29	1.2	5.4	N
402	MOT6525J	PDFN3*3-8L	60	30	3	25	30	32	40	29	1.2	5.4	N
403	MOT6530C	TO-251	60	20	2.5	34	42	38	46	25	4.5	6.5	N
404	MOT6530D	TO-252											

中低压Trench SGT MOS (Low and Medium Voltage SGT/Trench Mosfet)

序号	Part-NO	Package	V _{DSS} [V](min)	ID _(A) (25°C)	VGS(th)[V](max)	Rds(on) [mohm] at Vgs=				Qg [nC] at 10V Typ	Qgs [nC] Typ	Qgd [nC] Typ	Configuration
						10V (TYP)	10V (MAX)	4.5V (TYP)	4.5V (MAX)				
405	MOT6568J	PDFN3*3-8L	60	5	2.5	57	68	64	72	22	3.3	5.2	N
406	MOT6727G	PDFN5*6-8L	-60	-46	-2.5	25	30	30	40	12.1	6.4	3.1	P
407	MOT6727J	PDFN3*3-8L	-60	-46	-2.5	25	30	30	40	12.1	6.4	3.1	P
408	MOT6727S	SOP8	-60	-12	-2.5	24	30	32	35	62.1	9.3	16.8	P
409	MOT6915G	PDFN5*6-8L	60	30	2.5	11	15	14	19	21.8	4.6	3.5	N+N
410	MOT6915J	PDFN3*3-8L	60	30	2.5	11	15	14	19	21.8	4.6	3.5	N+N
411	MOT6929J	PDFN3*3-8L	60	20	2.5	22.5	29	28	38	50	6	15	N+N
412	MOT6929S	SOP-8L	60	9.2	2.5	26	29	30	38	50	9	8	N+N
413	MOT8156C	TO-251	100	120	4	4.7	6.5			42	9.7	10.6	N
414	MOT8156D	TO-252											
415	MOT8156G	PDFN5*6-8L	100	112	4	3.9	5			57	11	16.1	N
416	MOT8205S	SOT-23A-6L	20	6	1.5	19	25	23	32	8.4	1	1.8	N
417	MOT6125G	PDFN5*6-8L	60	155	2.4	2.05	2.5	2.7	3.8	79.1	16.1	12.2	N



氮化镓 (GaN)

序号	Part-NO	Package	V _{DSS} [V](min)	ID _(A) (25°C)	VTH[V](TYP)	Rds(on) [mohm] at Vgs=				Qg [nC] at 10V Typ	Qgs [nC] Typ	Qgd [nC] Typ	Configuration
						10V (TYP)	10V (MAX)	4.5V (TYP)	4.5V (MAX)				
1	MOT04865D	TO-252-2	650	4.8	4	600	720			7.9	2.31	1.65	

碳化硅 (SiC)

序号	Part-NO	Package	V _{RRM} [V](min)	ID _(A) (25°C)	V _F [V](max)	PD _(W) (25°C)	IFSM _(A) (25°C)
1	MOT04065G	PDFN5X6	650	4	1.8	76.5	26
2	MOT06065G	PDFN5X6	650	6	1.7	55.5	60
3	MOT10065A2	TO-220-2	650	10	1.7	138	105
4	MOT06065A2	TO-220-2	650	6	1.7	55.5	60

产品选型表 Production Selection

平面肖特基二极管(Planar Schottky Diode)

序号	Part-NO	Package	IF(AV)(A)	VRRM(V)	VF(V)典型值	IR<(uA)	IFSM(A)
1	MBR1045A	TO-220	10	45	0.54	50	150
2	MBR1045E	TO-263	10	45	0.54	50	150
3	MBR1045F	TO-220F	10	45	0.54	50	150
4	MOT1045C	TO-251	10	45	0.54	50	150
5	MOT1045D	TO-252	10	45	0.54	50	150
6	MBR1060A	TO-220	10	60	0.65	50	150
7	MBR1060E	TO-263	10	60	0.65	50	150
8	MBR1060F	TO-220F	10	60	0.65	50	150
9	MOT1060C	TO-251	10	60	0.65	50	150
10	MOT1060D	TO-252	10	60	0.65	50	150
11	MBR10100A	TO-220	10	100	0.79	50	150
12	MBR10100E	TO-263	10	100	0.79	50	150
13	MBR10100F	TO-220F	10	100	0.79	50	150
14	MOT10100C	TO-251	10	100	0.79	50	150
15	MOT10100D	TO-252	10	100	0.79	50	150
16	MBR10150A	TO-220	10	150	0.835	50	150
17	MBR10150E	TO-263	10	150	0.835	50	150
18	MBR10150F	TO-220F	10	150	0.835	50	150
19	MOT10150C	TO-251	10	150	0.835	50	150
20	MOT10150D	TO-252	10	150	0.835	50	150
21	MBR10200A	TO-220	10	200	0.85	50	150
22	MBR10200E	TO-263	10	200	0.85	50	150
23	MBR10200F	TO-220F	10	200	0.85	50	150
24	MOT10200C	TO-251	10	200	0.85	50	150
25	MOT10200D	TO-252	10	200	0.85	50	150
26	MBR2045A	TO-220	20	45	0.59	50	200
27	MBR2045E	TO-263	20	45	0.59	50	200
28	MBR2045F	TO-220F	20	45	0.59	50	200
29	MOT2045C	TO-251	20	45	0.59	50	200
30	MOT2045D	TO-252	20	45	0.59	50	200
31	MBR2060A	TO-220	20	60	0.71	50	200
32	MBR2060E	TO-263	20	60	0.71	50	200
33	MBR2060F	TO-220F	20	60	0.71	50	200
34	MOT2060C	TO-251	20	60	0.71	50	200
35	MOT2060D	TO-252	20	60	0.71	50	200
36	MBR20100A	TO-220	20	100	0.81	50	200
37	MBR20100E	TO-263	20	100	0.81	50	200
38	MBR20100F	TO-220F	20	100	0.81	50	200
39	MOT20100C	TO-251	20	100	0.81	50	200
40	MOT20100D	TO-252	20	100	0.81	50	200
41	MBR20150A	TO-220	20	150	0.86	50	200
42	MBR20150E	TO-263	20	150	0.86	50	200
43	MBR20150F	TO-220F	20	150	0.86	50	200
44	MOT20150C	TO-251	20	150	0.86	50	200
45	MOT20150D	TO-252	20	150	0.86	50	200
46	MBR20200A	TO-220	20	200	0.9	50	200
47	MBR20200E	TO-263	20	200	0.9	50	200
48	MBR20200F	TO-220F	20	200	0.9	50	200
49	MOT20200C	TO-251	20	200	0.9	50	200
50	MOT20200D	TO-252	20	200	0.9	50	200

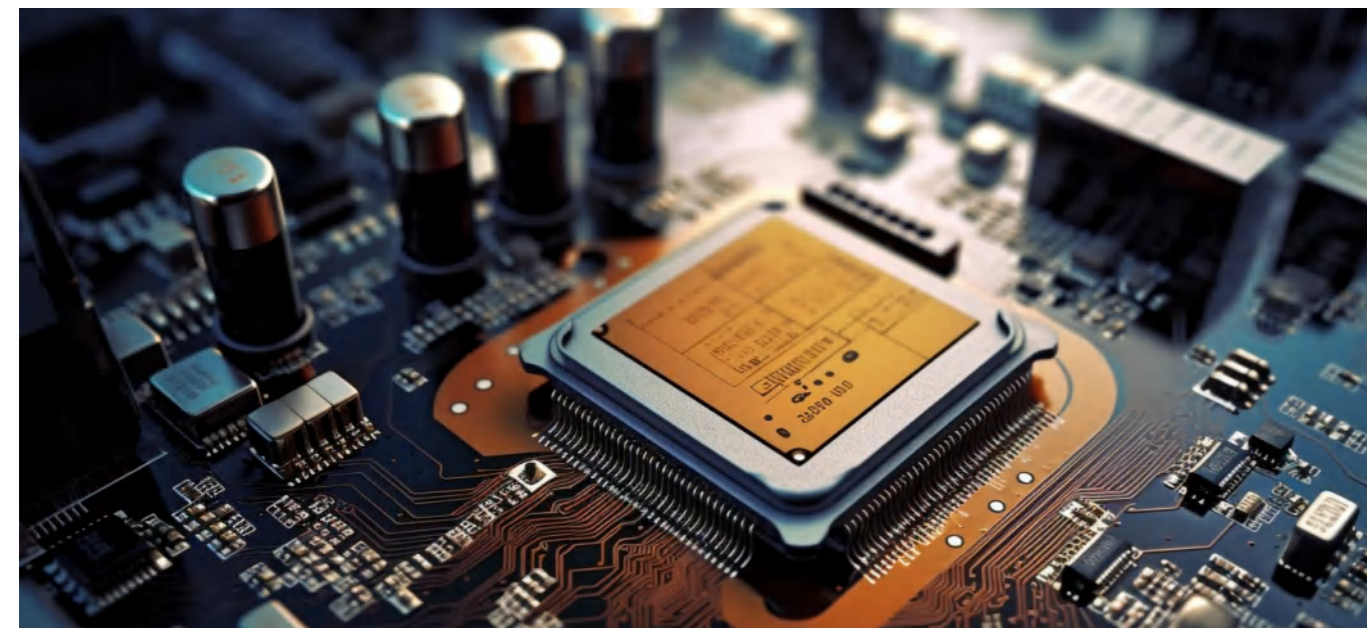
平面肖特基二极管(Planar Schottky Diode)

序号	Part-NO	Package	IF(AV)(A)	VRRM(V)	VF(V)典型值	IR<(uA)	IFSM(A)
51	MBR3045A	TO-220	30	45	0.59	50	300
52	MBR3045E	TO-263	30	45	0.59	50	300
53	MBR3045F	TO-220F	30	45	0.59	50	300
54	MOT3045C	TO-251	30	45	0.59	50	300
55	MOT3045D	TO-252	30	45	0.59	50	300
56	MBR3045W	TO-247S	30	45	0.59	50	300
57	MBR3060A	TO-220	30	60	0.72	50	300
58	MBR3060E	TO-263	30	60	0.72	50	300
59	MBR3060F	TO-220F	30	60	0.72	50	300
60	MBR3060Q	TO-3PB	30	60	0.72	50	300
61	MBR3060W	TO-247S	30	60	0.72	50	300
62	MBR30100A	TO-220	30	100	0.84	50	300
63	MBR30100E	TO-263	30	100	0.84	50	300
64	MBR30100F	TO-220F	30	100	0.84	50	300
65	MBR30100Q	TO-3PB	30	100	0.84	50	300
66	MBR30100W	TO-247S	30	100	0.84	50	300
67	MBR30150A	TO-220	30	150	0.88	50	300
68	MBR30150E	TO-263	30	150	0.88	50	300
69	MBR30150F	TO-220F	30	150	0.88	50	300
70	MBR30150Q	TO-3PB	30	150	0.88	50	300
71	MBR30150W	TO-247S	30	150	0.88	50	300
72	MBR30200A	TO-220	30	200	0.92	50	300
73	MBR30200E	TO-263	30	200	0.92	50	300
74	MBR30200F	TO-220F	30	200	0.92	50	300
75	MBR30200Q	TO-3PB	30	200	0.92	50	300
76	MBR30200W	TO-247S	30	200	0.92	50	300
77	MBR4045A	TO-220	40	45	0.56	50	400
78	MBR4045E	TO-263	40	45	0.56	50	400
79	MBR4045F	TO-220F	40	45	0.56	50	400
80	MBR4045Q	TO-3PB	40	45	0.56	50	400
81	MBR4045W	TO-247S	40	45	0.56	50	400
82	MBR4060A	TO-220	40	60	0.72	50	400
83	MBR4060E	TO-263	40	60	0.72	50	400
84	MBR4060F	TO-220F	40	60	0.72	50	400
85	MBR4060Q	TO-3PB	40	60	0.72	50	400
86	MBR4060W	TO-247S	40	60	0.72	50	400
87	MBR40100A	TO-220	40	100	0.82	50	400
88	MBR40100E	TO-263	40	100	0.82	50	400
89	MBR40100F	TO-220F	40	100	0.82	50	400
90	MBR40100Q	TO-3PB	40	100	0.82	50	400
91	MBR40100W	TO-247S	40	100	0.82	50	400
92	MBR40150A	TO-220	40	150	0.87	50	400
93	MBR40150E	TO-263	40	150	0.87	50	400
94	MBR40150F	TO-220F	40	150	0.87	50	400
95	MBR40150Q	TO-3PB	40	150	0.87	50	400
96	MBR40150W	TO-247S	40	150	0.87	50	400
97	MBR40200A	TO-220	40	200	0.9	50	400
98	MBR40200E	TO-263	40	200	0.9	50	400
99	MBR40200F	TO-220F	40	200	0.9	50	400
100	MBR40200Q	TO-3PB	40	200	0.9	50	400

产品选型表 Production Selection

平面肖特基二极管(Planar Schottky Diode)

序号	Part-NO	Package	IF(AV)(A)	VRRM(V)	VF(V)典型值	IR<(uA)	IFSM(A)
101	MBR40200W	TO-247S	40	200	0.9	50	400
102	MBR6045A	TO-220	60	45	0.65	50	500
103	MBR6045E	TO-263	60	45	0.65	50	500
104	MBR6045F	TO-220F	60	45	0.65	50	500
105	MBR6045Q	TO-3PB	60	45	0.65	50	500
106	MBR6045W	TO-247S	60	45	0.65	50	500
107	MBR6060A	TO-220	60	60	0.72	50	500
108	MBR6060E	TO-263	60	60	0.72	50	500
109	MBR6060F	TO-220F	60	60	0.72	50	500
110	MBR6060Q	TO-3PB	60	60	0.72	50	500
111	MBR6060W	TO-247S	60	60	0.72	50	500
112	MBR60100A	TO-220	60	100	0.84	50	500
113	MBR60100E	TO-263	60	100	0.84	50	500
114	MBR60100F	TO-220F	60	100	0.84	50	500
115	MBR60100Q	TO-3PB	60	100	0.84	50	500
116	MBR60100W	TO-247S	60	100	0.84	50	500
117	MBR60150A	TO-220	60	150	0.9	50	500
118	MBR60150E	TO-263	60	150	0.9	50	500
119	MBR60150F	TO-220F	60	150	0.9	50	500
120	MBR60150Q	TO-3PB	60	150	0.9	50	500
121	MBR60150W	TO-247S	60	150	0.9	50	500
122	MBR60200A	TO-220	60	200	0.92	50	500
123	MBR60200E	TO-263	60	200	0.92	50	500
124	MBR60200F	TO-220F	60	200	0.92	50	500
125	MBR60200Q	TO-3PB	60	200	0.92	50	500
126	MBR60200W	TO-247S	60	200	0.92	50	500
127	MBR10300A	TO-220	10	300	0.86	50	150
128	MBR10300F	TO-220F	10	300	0.86	50	150
129	MBR20300A	TO-220	20	300	0.91	50	200
130	MBR20300F	TO-220F	20	300	0.91	50	200
131	MOT10200BD	TO-252	10	200	0.9	50	150



沟槽肖特基二极管(Trench Schottky Diode)

序号	Part-NO	Package	IF(AV)(A)	VF(V)典型值	IR<(uA)	IFSM(A)
1	MBR1060UA	TO-220	10	0.56	20	150
2	MBR1060UE	TO-263	10	0.56	20	150
3	MBR1060UF	TO-220F	10	0.56	20	150
4	MOT1060UC	TO-251	10	0.56	20	150
5	MOT1060UD	TO-252	10	0.56	20	150
6	MBR10100UA	TO-220	10	0.6	20	150
7	MBR10100UE	TO-263	10	0.6	20	150
8	MBR10100UF	TO-220F	10	0.6	20	150
9	MOT10100UC	TO-251	10	0.6	20	150
10	MOT10100UD	TO-252	10	0.6	20	150
11	MBR2045UA	TO-220	20	0.47	50	200
12	MBR2045UE	TO-263	20	0.47	50	200
13	MBR2045UF	TO-220F	20	0.47	50	200
14	MOT2045UC	TO-251	20	0.47	50	200
15	MOT2045UD	TO-252	20	0.47	50	200
16	MBR2060UA	TO-220	20	0.49	50	200
17	MBR2060UE	TO-263	20	0.49	50	200
18	MBR2060UF	TO-220F	20	0.49	50	200
19	MOT2060UC	TO-251	20	0.49	50	200
20	MOT2060UD	TO-252	20	0.49	50	200
21	MBR20100UA	TO-220	20	0.67	15	200
22	MBR20100UE	TO-263	20	0.67	15	200
23	MBR20100UF	TO-220F	20	0.67	15	200
24	MOT20100UC	TO-251	20	0.67	15	200
25	MOT20100UD	TO-252	20	0.67	15	200
26	MBR20150UA	TO-220	20	0.79	2	200
27	MBR20150UE	TO-263	20	0.79	2	200
28	MBR20150UF	TO-220F	20	0.79	2	200
29	MOT20150UD	TO-252	20	0.79	2	200
30	MBR20200UA	TO-220	20	0.83	2	200
31	MBR20200UE	TO-263	20	0.83	2	200
32	MBR20200UF	TO-220F	20	0.83	2	200
33	MOT20200UD	TO-252	20	0.83	2	200
34	MBR3045UA	TO-220	30	0.5	80	300
35	MBR3045UE	TO-263	30	0.5	80	300
36	MBR3045UF	TO-220F	30	0.5	80	300
37	MOT3045UD	TO-252	30	0.5	80	300
38	MBR30100UA	TO-220	30	0.7	20	300
39	MBR30100UE	TO-263	30	0.7	20	300
40	MBR30100UF	TO-220F	30	0.7	20	300
41	MOT30100UD	TO-252	30	0.7	20	300
42	MBR30150UA	TO-220	30	0.84	10	300
43	MBR30150UE	TO-263	30	0.84	10	300
44	MBR30150UF	TO-220F	30	0.84	10	300
45	MOT30150UD	TO-252	30	0.84	10	300
46	MBR40100UA	TO-220	40	0.76	20	400
47	MBR40100UE	TO-263	40	0.76	20	400
48	MBR40100UF	TO-220F	40	0.76	20	400
49	MBR2080UF	TO-220F	20	0.55	10	200
50	MBR2080UA	TO-220	20	0.55	10	200

产品选型表 Production Selection

快恢复二极管(Fast Recovery Diode)

序号	Part-NO	Package	IF(AV)(A)	VRRM(V)	VF(V)典型值	IR-(uA)	TRR-(nS)
1	MUR1002A	TO-220	10	200	1.1	1	35
2	MUR1002E	TO-263	10	200	1.1	1	35
3	MUR1002F	TO-220F	10	200	1.1	1	35
4	MUR1004A	TO-220	10	400	1.3	1	35
5	MUR1040F	TO-220F	10	400	1.3	1	35
6	MUR1004E	TO-263	10	400	1.3	1	35
7	MUR1004F	TO-220F	10	400	1.3	1	35
8	MUR1006A	TO-220	10	600	1.5	1	35
9	MUR1006E	TO-263	10	600	1.5	1	35
10	MUR1006F	TO-220F	10	600	1.5	1	35
11	MUR12C20A	TO-220	12	200	1.3	1	35
12	MUR12C20E	TO-263	12	200	1.3	1	35
13	MUR12C20F	TO-220F	12	200	1.3	1	35
14	MUR12C40A	TO-220	12	400	1.5	1	35
15	MUR12C40E	TO-263	12	400	1.5	1	35
16	MUR12C40F	TO-220F	12	400	1.5	1	35
17	MUR12C60A	TO-220	12	600	1.5	1	35
18	MUR12C60E	TO-263	12	600	1.5	1	35
19	MUR12C60F	TO-220F	12	600	1.5	1	35
20	MUR16C20A	TO-220	16	200	1.1	1	35
21	MUR16C20E	TO-263	16	200	1.1	1	35
22	MUR16C20F	TO-220F	16	200	1.1	1	35
23	MUR16C40A	TO-220	16	400	1.3	1	35
24	MUR16C40E	TO-263	16	400	1.3	1	35
25	MUR16C40F	TO-220F	16	400	1.3	1	35
26	MUR16C60A	TO-220	16	600	1.5	1	35
27	MUR16C60E	TO-263	16	600	1.5	1	35
28	MUR1660F	TO-220F	16	600	1.5	1	35
29	MUR2002A	TO-220	20	200	1.1	1	35
30	MUR2002E	TO-263	20	200	1.1	1	35
31	MUR2002F	TO-220F	20	200	1.1	1	35
32	MUR2040A	TO-220	20	400	1.3	1	35
33	MUR2040E	TO-263	20	400	1.3	1	35
34	MUR2040F	TO-220F	20	400	1.3	1	35
35	MUR2060A	TO-220	20	600	1.5	1	35
36	MUR2060E	TO-263	20	600	1.5	1	35
37	MUR2060F	TO-220F	20	600	1.5	1	35
38	MUR4040PT	TO-247S	40	400	1.3	10	35
39	MUR3040PT	TO-247S	30	400	1.2	10	35
40	MUR4060PT	TO-247S	40	600	1.5	10	35
41	MUR3060PT	TO-247S	30	600	1.2	10	35



小信号肖特基二极管(Small Signal Schottky Diode)

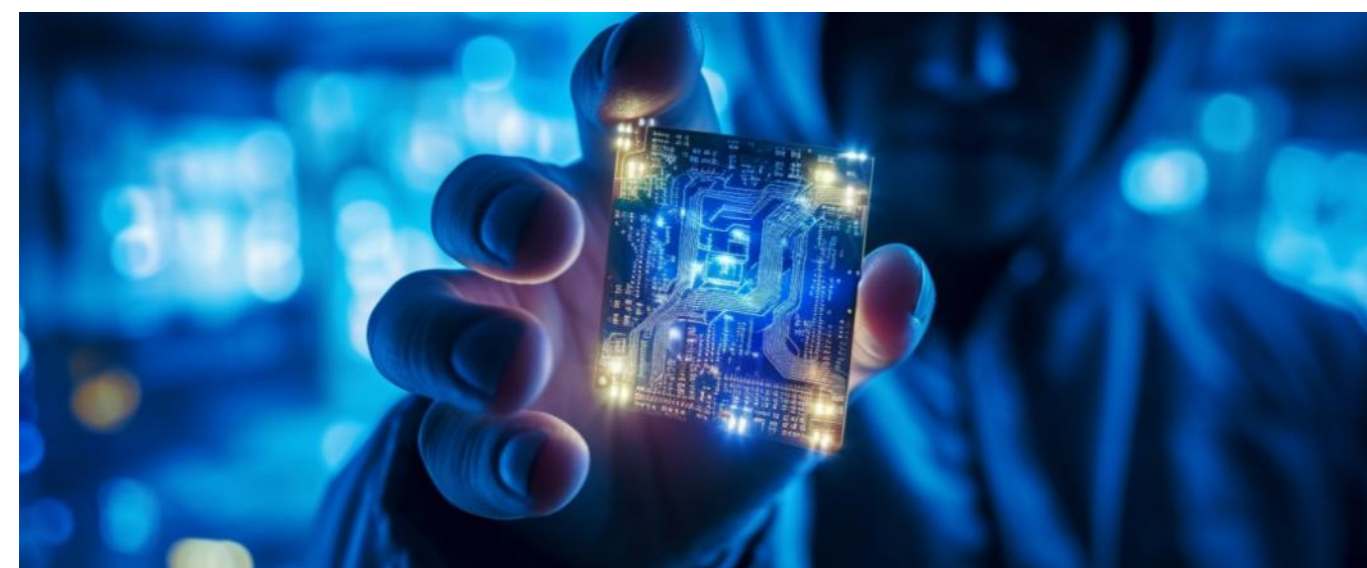
序号	Part-NO	Package	IO(A)	VRRM(V)	IFSM(A)	VF(V)	@IF(A)	IR-(uA)	@VR(V)
1	BAT46WS	SOD-323	0.15	100	25	1	0.25	2	75
2	SD103AWS	SOD-323	0.35	40	2	0.6	0.2	1	25
3	1SS357WB	SOD-323	0.1	45	1	0.6	0.1	5	40
4	RB551V-30	SOD-323	0.5	30	25	0.47	0.5	100	20
5	RB551V-40	SOD-323	0.5	40	25	0.47	0.5	100	40
6	B0520WS	SOD-323	0.5	20	22	0.39	0.5	250	20
7	B0530WS	SOD-323	0.5	30	22	0.45	0.5	500	30
8	B0540WS	SOD-323	0.5	40	22	0.62	1	20	40
9	RB751V-40	SOD-323	0.03	40	0.2	0.37	0.001	5	30
10	BAS70WS	SOD-323	0.07	70	0.1	1	0.015	0.1	50
11	B1040WS	SOD-323	1	40	7	0.61	1	40	40
12	B16WS	SOD-323	1	60	10	0.7	1	100	60
13	B5817WS	SOD-323	1	20	9	0.45	1	1000	20
14	B5819WS	SOD-323	1	40	9	0.6	1	1000	40
15	BAT60B	SOD-323	3	10	5	0.6	1	20	8
16	RB521S-40	SOD-523	0.2	45	1	0.54	0.2	90	40
17	RB521S-30	SOD-523	0.2	30	1	0.6	0.2	5	10
18	RB520S-40	SOD-523	0.2	40	1	0.55	0.1	10	40
19	RB520S-30	SOD-523	0.2	30	1	0.3	0.2	1	10
20	BAT64X	SOD-523	0.25	40	0.8	0.75	0.1	2	30
21	BAT54X	SOD-523	0.1	30	0.3	1	0.1	2	25
22	BAT43X	SOD-523	0.2	30	0.5	1	0.2	0.5	25
23	B0520X	SOD-523	0.5	20	5.5	0.6	0.5	50	10
24	1SS389	SOD-523	0.1	10	1	0.5	0.1	20	10
25	1SS388	SOD-523	0.1	45	1	0.6	0.05	5	10
26	BAT46X	SOD-523	0.15	100	0.75	1	0.25	2	75
27	B1040X	SOD-523	1	40	7	0.61	1	40	40
28	BAT54	SOT-23	0.2	30	0.6	1	0.1	2	25
29	BAS40	SOT-23	0.2	40	0.6	1	0.04	0.2	30
30	BAS70	SOT-23	0.07	70	0.1	1	0.015	0.1	50
31	BAS40W	SOT-323	0.2	40	0.6	1	0.04	0.2	30
32	BAS70W	SOT-23	0.07	70	0.1	1	0.015	0.1	50
33	BAT54W	SOT-323	0.2	30	0.6	1	0.1	2	25
34	B0520LW	SOD-123	0.5	20	5.5	0.39	0.5	250	20
35	B0530W	SOD-123	0.5	30	5.5	0.43	0.5	130	30
36	B0540W	SOD-123	0.5	40	5.5	0.62	1	20	40
37	B5818W	SOD-123	1	30	9	0.875	3	1000	30
38	BAT42W	SOD-123	0.2	30	0.5	0.65	0.05	0.5	25
39	BAT43W	SOD-123	0.2	30	0.5	0.45	0.015	0.5	25
40	BAT46W	SOD-123	0.15	100	0.75	1	0.25	2	75
41	SD101AW	SOD-123	0.015	60	2	1	0.015	0.2	50
42	SD101BW	SOD-123	0.015	50	2	0.95	0.015	0.2	40
43	SD101CW	SOD-123	0.015	40	2	0.9	0.015	0.2	40
44	SD103AW	SOD-123	0.35	40	2	0.6	0.2	1	25



产品选型表 Production Selection

小信号开关二极管 (Small Signal Switching Diode)

序号	Part-NO	Package	IO(A)	VRRM(V)	IFSM(A)	VF(V)	@IF(A)	IR<(uA)	@VR(V)
1	1N4148WS	SOD-323	0.15	100	2	1.25	0.15	1	75
2	1N4448WS	SOD-323	0.25	100	2	1.25	0.15	2.5	75
3	BAV16WS	SOD-323	0.15	100	2	1.25	0.15	25	20
4	MMDL914	SOD-323	0.2	100	2	1	0.01	5	75
5	BAS16WX	SOD-323	0.1	85	2	1.25	0.15	1	75
6	BAS316	SOD-323	0.25	85	2	1.25	0.15	1	75
7	BAV316	SOD-323	0.215	130	2	1.1	0.15	5	75
8	BAV19WS	SOD-323	0.2	120	2	1.25	0.2	0.1	100
9	BAV20WS	SOD-323	0.2	200	2	1.25	0.2	0.1	150
10	BAV21WS	SOD-323	0.2	250	2	1.25	0.2	0.1	200
11	1N4148W	SOD-123	0.15	100	2	1.25	0.15	1	75
12	1N4448W	SOD-123	0.25	100	2	1.25	0.15	2.5	75
13	BAV16W	SOD-123	0.1	85	2	1.25	0.15	1	75
14	MMSD914	SOD-123	0.2	100	2	1	0.01	5	75
15	BAV19W	SOD-123	0.2	120	2	1.25	0.2	0.1	100
16	BAV20W	SOD-123	0.2	200	2	1.25	0.2	0.1	150
17	BAV21W	SOD-123	0.2	250	2	1.25	0.2	0.1	200
18	1N4148WT	SOD-523	0.15	100	2	1.25	0.15	1	75
19	1N4448WT	SOD-523	0.25	100	2	1.25	0.15	2.5	75
20	1N4448X	SOD-523	0.25	100	2	1.25	0.15	2.5	75
21	1SS387	SOD-523	0.1	85	2	1.2	0.1	0.5	80
22	1SS400	SOD-523	0.1	90	2	1.2	0.1	0.1	80
23	BAS16X	SOD-523	0.1	85	2	1.25	0.15	1	75
24	BAS516	SOD-523	0.25	100	2	1.25	0.15	1	75
25	BAS716	SOD-523	0.2	100	1	1.25	0.15	0.08	100
27	MMBD4148	SOT-23	0.15	100	2	1.25	0.15	1	75
29	BAS19	SOT-23	0.2	120	2	1.25	0.2	0.1	100
30	BAS20	SOT-23	0.2	200	2	1.25	0.2	0.1	150
31	BAS21	SOT-23	0.2	250	2	1.25	0.2	0.1	200
32	MMBD914	SOT-23	0.2	100	2	1	0.01	5	75
33	BAS19W	SOT-323	0.2	120	2	1.25	0.2	0.1	100
34	BAS20W	SOT-323	0.2	200	2	1.25	0.2	0.1	150
35	BAS21W	SOT-323	0.2	250	2	1.25	0.2	0.1	200
36	BAS16W	SOT-323	0.1	85	2	1.25	0.15	1	75
37	MMBD4148W	SOT-323	0.15	100	2	1.25	0.15	1	75



稳压二极管 (Voltage-Regulator Diode)

序号	Part-NO	MARKING	Package	VF(V)	PD(Mw)	VZ(V)典型值	IR<(uA)	VR(V)
1	BZT52C2V4T1G	WX	SOD123	0.85	500	2.4	50	1
2	BZT52C2V7T1G	W1	SOD123	0.85	500	2.7	20	1
3	BZT52C3V0T1G	W2	SOD123	0.85	500	3	10	1
4	BZT52C3V3T1G	W3	SOD123	0.85	500	3.3	5	1
5	BZT52C3V6T1G	W4	SOD123	0.85	500	3.6	5	1
6	BZT52C3V9T1G	W5	SOD123	0.85	500	3.9	3	1
7	BZT52C4V3T1G	W6	SOD123	0.85	500	4.3	3	1
8	BZT52C4V7T1G	W7	SOD123	0.85	500	4.7	3	2
9	BZT52C5V1T1G	W8	SOD123	0.85	500	5.1	2	2
10	BZT52C5V6T1G	W9	SOD123	0.85	500	5.6	1	2
11	BZT52C6V2T1G	WA	SOD123	0.85	500	6.2	2.4	4
12	BZT52C6V8T1G	WB	SOD123	0.85	500	6.8	1.6	4
13	BZT52C7V5T1G	WC	SOD123	0.85	500	7.5	0.8	5
14	BZT52C8V2T1G	WD	SOD123	0.85	500	8.2	0.56	5
15	BZT52C9V1T1G	WE	SOD123	0.85	500	9.1	0.4	7
16	BZT52C10T1G	WF	SOD123	0.85	500	10	0.1	8
17	BZT52C11T1G	WG	SOD123	0.85	500	11	0.1	8
18	BZT52C12T1G	WH	SOD123	0.85	500	12	0.1	8
19	BZT52C13T1G	WI	SOD123	0.85	500	13	0.1	8
20	BZT52C15T1G	WJ	SOD123	0.85	500	15	0.1	11
21	BZT52C16T1G	WK	SOD123	0.85	500	16	0.1	11
22	BZT52C18T1G	WL	SOD123	0.85	500	18	0.1	13
23	BZT52C20T1G	WM	SOD123	0.85	500	20	0.1	14
24	BZT52C22T1G	WN	SOD123	0.85	500	22	0.1	15
25	BZT52C24T1G	WO	SOD123	0.85	500	24	0.1	17
26	BZT52C27T1G	WP	SOD123	0.85	500	27	0.04	19
27	BZT52C30T1G	WQ	SOD123	0.85	500	30	0.04	21
28	BZT52C33T1G	WR	SOD123	0.85	500	33	0.04	23
29	BZT52C36T1G	WS	SOD123	0.85	500	36	0.04	25
30	BZT52C39T1G	WT	SOD123	0.85	500	39	0.04	27
31	BZT52C43T1G	WU	SOD123	0.85	500	43	0.04	30
32	BZT52C47T1G	WV	SOD123	0.85	500	47	0.04	33
33	BZT52C51T1G	WW	SOD123	0.85	500	51	0.04	36
34	BZT52C56T1G	XW	SOD123	0.85	500	56	0.04	39
35	BZT52C62T1G	6E	SOD123	0.85	500	62	0.04	43
36	BZT52C68T1G	6F	SOD123	0.85	500	68	0.04	48
37	BZT52C75T1G	6H	SOD123	0.85	500	75	0.04	53
38	BZT52C2V4S	WX	SOD323	0.85	200	2.4	50	1
39	BZT52C2V7S	W1	SOD323	0.85	200	2.7	20	1
40	BZT52C3V0S	W2	SOD323	0.85	200	3	10	1
41	BZT52C3V3S	W3	SOD323	0.85	200	3.3	5	1
42	BZT52C3V6S	W4	SOD323	0.85	200	3.6	5	1
43	BZT52C3V9S	W5	SOD323	0.85	200	3.9	3	1
44	BZT52C4V3S	W6	SOD323	0.85	200	4.3	3	1
45	BZT52C4V7S	W7	SOD323	0.85	200	4.7	3	2
46	BZT52C5V1S	W8	SOD323	0.85	200	5.1	2	2
47	BZT52C5V6S	W9	SOD323	0.85	200	5.6	1	2
48	BZT52C6V2S	WA	SOD323	0.85	200	6.2	2.4	4
49	BZT52C6V8S	WB	SOD323	0.85	200	6.8	1.6	4
50	BZT52C7V5S	WC	SOD323	0.85	200	7.5	0.8	5

产品选型表 Production Selection

稳压二极管(Voltage-Regulator Diode)

序号	Part-NO	MARKING	Package	VF(V)	PD(Mw)	VZ(V)典型值	IR<(uA)	VR(V)
51	BZT52C8V2S	WD	SOD323	0.85	200	8.2	0.56	5
52	BZT52C9V1S	WE	SOD323	0.85	200	9.1	0.4	7
53	BZT52C10S	WF	SOD323	0.85	200	10	0.1	8
54	BZT52C11S	WG	SOD323	0.85	200	11	0.1	8
55	BZT52C12S	WH	SOD323	0.85	200	12	0.1	8
56	BZT52C13S	WI	SOD323	0.85	200	13	0.1	8
57	BZT52C15S	WJ	SOD323	0.85	200	15	0.1	11
58	BZT52C16S	WK	SOD323	0.85	200	16	0.1	11
59	BZT52C18S	WL	SOD323	0.85	200	18	0.1	13
60	BZT52C20S	WM	SOD323	0.85	200	20	0.1	14
61	BZT52C22S	WN	SOD323	0.85	200	22	0.1	15
62	BZT52C24S	WO	SOD323	0.85	200	24	0.1	17
63	BZT52C27S	WP	SOD323	0.85	200	27	0.04	19
64	BZT52C30S	WQ	SOD323	0.85	200	30	0.04	21
65	BZT52C33S	WR	SOD323	0.85	200	33	0.04	23
66	BZT52C36S	WS	SOD323	0.85	200	36	0.04	25
67	BZT52C39S	WT	SOD323	0.85	200	39	0.04	27
68	BZT52C43S	WT	SOD323	0.85	200	43	0.04	30
69	BZT52C47S	WV	SOD323	0.85	200	47	0.04	33
70	BZT52C51S	WW	SOD323	0.85	200	51	0.04	36
71	BZT52C56S	XW	SOD323	0.85	200	56	0.04	39
72	BZT52C62S	6E	SOD323	0.85	200	62	0.04	43
73	BZT52C68S	6F	SOD323	0.85	200	68	0.04	48
74	BZT52C75S	6H	SOD323	0.85	200	75	0.04	53
75	BZX584C2V4	00	SOD523	0.85	150	2.4	50	1
76	BZX584C2V7	01	SOD523	0.85	150	2.7	20	1
77	BZX584C3V0	02	SOD523	0.85	150	3	10	1
78	BZX584C3V3	05	SOD523	0.85	150	3.3	5	1
79	BZX584C3V6	Z15	SOD523	0.85	150	3.6	5	1
80	BZX584C3V9	07	SOD523	0.85	150	3.9	3	1
81	BZX584C4V3	08	SOD523	0.85	150	4.3	3	1
82	BZX584C4V7	09	SOD523	0.85	150	4.7	3	2
83	BZX584C5V1	0A	SOD523	0.85	150	5.1	2	2
84	BZX584C5V6	W9	SOD523	0.85	150	5.6	1	2
85	BZX584C6V2	OE	SOD523	0.85	150	6.2	2.4	4
86	BZX584C6V8	Z5	SOD523	0.85	150	6.8	1.6	4
87	BZX584C7V5	OG	SOD523	0.85	150	7.5	0.8	5
88	BZX584C8V2	OH	SOD523	0.85	150	8.2	0.56	5
89	BZX584C9V1	OK	SOD523	0.85	150	9.1	0.4	7
90	BZX584C10	OL	SOD523	0.85	150	10	0.1	8
91	BZX584C11	OM	SOD523	0.85	150	11	0.1	8
92	BZX584C12	ON	SOD523	0.85	150	12	0.1	8
93	BZX584C13	Y3	SOD523	0.85	150	13	0.1	8
94	BZX584C15	OT	SOD523	0.85	150	15	0.1	11
95	BZX584C16	OU	SOD523	0.85	150	16	0.1	11
96	BZX584C18	OW	SOD523	0.85	150	18	0.1	13
97	BZX584C20	OZ	SOD523	0.85	150	20	0.1	14
98	BZX584C22	10	SOD523	0.85	150	22	0.1	15
99	BZX584C24	11	SOD523	0.85	150	24	0.1	17
100	BZX584C27	12	SOD523	0.85	150	27	0.04	19

稳压二极管(Voltage-Regulator Diode)

序号	Part-NO	MARKING	Package	VF(V)	PD(Mw)	VZ(V)典型值	IR<(uA)	VR(V)
101	BZX584C30	14	SOD523	0.85	150	30	0.04	21
102	BZX584C33	Y12	SOD523	0.85	150	33	0.04	23
103	BZX584C36	Y13	SOD523	0.85	150	36	0.04	25
104	BZX584C39	Y14	SOD523	0.85	150	39	0.04	27
105	BZX584C43	Y15	SOD523	0.85	150	43	0.04	30
106	BZX584C47	V1	SOD523	0.85	150	47	0.04	33
107	BZX584C51	V2	SOD523	0.85	150	51	0.04	36
108	BZX584C56	V3	SOD523	0.85	150	56	0.04	39
109	BZX584C62	V4	SOD523	0.85	150	62	0.04	43
110	BZX584C68	V5	SOD523	0.85	150	68	0.04	48
111	BZX584C75	V6	SOD523	0.85	150	75	0.04	53
112	BZX84C2V4	Z11	SOT-23	0.85	225	2.4	50	1
113	BZX84C2V7	Z12	SOT-23	0.85	225	2.7	20	1
114	BZX84C3V0	Z13	SOT-23	0.85	225	3	10	1
115	BZX84C3V3	Z14	SOT-23	0.85	225	3.3	5	1
116	BZX84C3V6	Z15	SOT-23	0.85	150	3.6	5	1
117	BZX84C3V9	Z16	SOT-23	0.85	225	3.9	3	1
118	BZX84C4V3	Z17	SOT-23	0.85	225	4.3	3	1
119	BZX84C4V7	Z1	SOT-23	0.85	225	4.7	3	2
120	BZX84C5V1	Z2	SOT-23	0.85	225	5.1	2	2
121	BZX84C5V6	Z3	SOT-23	0.85	225	5.6	1	2
122	BZX84C6V2	Z4	SOT-23	0.85	225	6.2	2.4	4
123	BZX84C6V8	Z5	SOT-23	0.85	225	6.8	1.6	4
124	BZX84C7V5	Z6	SOT-23	0.85	225	7.5	0.8	5
125	BZX84C8V2	Z7	SOT-23	0.85	225	8.2	0.56	5
126	BZX84C9V1	Z8	SOT-23	0.85	225	9.1	0.4	7
127	BZX84C10	Z9	SOT-23	0.85	225	10	0.1	8
128	BZX84C11	Y1	SOT-23	0.85	225	11	0.1	8
129	BZX84C12	Y2	SOT-23	0.85	225	12	0.1	8
130	BZX84C13	Y3	SOT-23	0.85	225	13	0.1	8
131	BZX84C15	Y4	SOT-23	0.85	225	15	0.1	11
132	BZX84C16	Y5	SOT-23	0.85	225	16	0.1	11
133	BZX84C18	Y6	SOT-23	0.85	225	18	0.1	13
134	BZX84C20	Y7	SOT-23	0.85	225	20	0.1	14
135	BZX84C22	Y8	SOT-23	0.85	225	22	0.1	15
136	BZX84C24	Y9	SOT-23	0.85	225	24	0.1	17
137	BZX84C27	Y10	SOT-23	0.85	225	27	0.04	19
138	BZX84C30	Y11	SOT-23	0.85	225	30	0.04	21
139	BZX84C33	Y12	SOT-23	0.85	225	33	0.04	23
140	BZX84C36	Y13	SOT-23	0.85	225	36	0.04	25
141	BZX84C39	Y14	SOT-23	0.85	225	39	0.04	27
142	BZX84C43	Y15	SOT-23	0.85	225	43	0.04	30
143	BZX84C47	V1	SOT-23	0.85	225	47	0.04	33
144	BZX84C51	V2	SOT-23	0.85	225	51	0.04	36
145	BZX84C56	V3	SOT-23	0.85	225	56	0.04	39
146	BZX84C62	V4	SOT-23	0.85	225	62	0.04	43
147	BZX84C68	V5	SOT-23	0.85	225	68	0.04	48
148	BZX84C75	V6	SOT-23	0.85	225	75	0.04	53

产品选型表 Production Selection

大功率三极管(High-Power Transistor)

序号	Part-NO	Package	Ic(A)	BVCBO(V)	BVCEO(V)	BVEB(V)	HFE	TS(nS)
1	MOT13005DA	TO-220	4	700	400	6	20-30	2-5
2	MOT13005DE	TO-263	4	700	400	6	20-30	2-5
3	MOT13005DF	TO-220F	4	700	400	6	20-30	2-5
4	MOT13005DQ	TO-3PB	4	700	400	6	20-30	2-5
5	MOT13005DW	TO-247S	4	700	400	6	20-30	2-5
6	MOT13007MA	TO-220	8	700	400	6	20-30	2-7
7	MOT13007ME	TO-263	8	700	400	6	20-30	2-7
8	MOT13007MF	TO-220F	8	700	400	6	20-30	2-7
9	MOT13007MQ	TO-3PB	8	700	400	6	20-30	2-7
10	MOT13007MW	TO-247S	8	700	400	6	20-30	2-7
11	MOT13009DA	TO-220	12	700	400	6	20-35	2-8
12	MOT13009DE	TO-263	12	700	400	6	20-35	2-8
13	MOT13009DF	TO-220F	12	700	400	6	20-35	2-8
14	MOT13009DQ	TO-3PB	12	700	400	6	20-35	2-8
15	MOT13009DW	TO-247S	12	700	400	6	20-35	2-8
16	2SC3320W	TO-247S	15	500	400	7	20-80	
17	2SC3998	TO-3PL	25	1500	800	6	20-35	
18	BU406	TO-220	7	400	200	6	50-120	
19	TIP42C	TO-252	-6	-100	-100	-5	15-75	
20	TIP41C	TO-252	6	100	100	5	15-75	



小信号三极管(Small Signal Transistor)

序号	Part-NO	MARKING	Package	IC(mA)	PC(mW)	BVCBO(V)	BVCEO(V)	BVEB(V)
1	MMBT3904	1AM	SOT-23	200	225	60	40	6
2	MMBT3906	2A	SOT-23	200	200	-40	-40	-5
3	MMBT5551	G1	SOT-23	600	225	180	160	6
4	MMBT5401	2L	SOT-23	-600	225	-160	-150	-5
5	MMBT2222A	1P	SOT-23	600	225	75	40	6
6	MMBT2907	2F	SOT-23	-600	225	-60	-60	-6
7	S8050	J3Y	SOT-23	500	300	40	25	5
8	S8050B	J3Y	SOT-23	350	300	40	25	5
9	S8050C	J3Y	SOT-23	200	300	40	25	5
10	S8550	2TY	SOT-23	-500	300	-40	-25	-5
11	S8550B	2TY	SOT-23	-350	300	-40	-25	-5
12	S8550C	2TY	SOT-23	-200	300	-40	-25	-5
13	SS8050	Y1	SOT-23	1500	300	40	25	5
14	SS8550	Y2	SOT-23	-1500	300	-40	-25	-5
15	S9012	2T1	SOT-23	-500	300	-40	-25	-5
16	S9015	M6	SOT-23	-500	600	-40	-25	-5
17	S9014	J6	SOT-23	150	225	50	45	5
18	S9013	J3	SOT-23	500	625	40	20	5
19	BC807	5C	SOT-23	-500	300	-50	-45	-5
20	BC817	6C	SOT-23	500	300	50	45	5
21	BC846A	1A	SOT-23	100	200	80	65	6
22	BC846B	1B	SOT-23	100	200	80	65	6
23	BC847A	1E	SOT-23	100	200	50	45	6
24	BC847B	1F	SOT-23	100	200	50	45	6
25	BC847C	1G	SOT-23	100	200	50	45	6
26	BC848A	1J	SOT-23	100	200	30	30	6
27	BC848B	1K	SOT-23	100	200	30	30	6
28	BC848C	1L	SOT-23	100	200	30	30	6
31	BC856A	3A	SOT-23	-100	200	-80	-65	-5
32	BC856B	3B	SOT-23	-100	200	-80	-65	-5
33	BC857A	3E	SOT-23	-100	200	-50	-45	-5
34	BC857B	3F	SOT-23	-100	200	-50	-45	-5
35	BC857C	3G	SOT-23	-100	200	-50	-45	-5
36	BC858A	3J	SOT-23	-100	200	-30	-30	-5
37	BC858B	3K	SOT-23	-100	200	-30	-30	-5
38	BC858C	3L	SOT-23	-100	200	-30	-30	-5
39	KTC3875	ALO/ALY/ALG/ALL	SOT-23	150	150	60	50	5
40	2SC1623	L4/L5/L6/L7	SOT-23	100	200	60	50	5
41	2SC2712	LO/LY/LG/LL	SOT-23	150	150	60	50	5
42	2SC2412	BQ/BR/BS	SOT-23	150	200	60	50	7
43	C945	CR	SOT-23	150	200	60	50	5
44	C1815	HF	SOT-23	150	200	60	50	5
45	A733	CS	SOT-23	-150	200	-60	-50	-5
46	A1015	BA	SOT-23	-150	200	-50	-50	-5
49	S9012W	2T1	SOT-323	-500	200	-40	-25	-5
50	S9013W	J3	SOT-323	500	200	40	25	5

产品选型表 Production Selection

小信号三极管(Small Signal Transistor)

序号	Part-NO	MARKING	Package	IC(mA)	PC(mW)	BVCBO(V)	BVCEO(V)	BVEB(V)
51	S9014W	J6	SOT-323	100	200	50	45	5
52	S9015W	M6	SOT-323	-100	200	-50	-45	-5
55	MMDT3904	K6N	SOT-363	200	200	60	40	6
56	MMDT3906	K3N	SOT-363	-200	200	-40	-40	-5
57	MMDT3946	K46	SOT-363	200	200	60	40	5
				-200	200	-60	-40	-5
58	MMDT4401	K2X	SOT-363	600	200	60	40	6
59	MMDT4403	K2T	SOT-363	-600	200	-40	-40	-5
60	NST3946	46	SOT-563	-200	150	-40	-40	-5
61	KTA1505	AZO/AZY/AZG	SOT-23	-500	150	-35	-30	-5
62	BC846S	4Ft	SOT-363	100	200	80	65	6
63	BC856S	5Ft	SOT-363	-100	200	-85	-65	-5
64	BC807-16W	5A	SOT-323	-500	200	-50	-45	-5
65	BC807-25W	5B	SOT-323	-500	200	-50	-45	-5
66	BC807-40W	5C	SOT-323	-500	200	-50	-45	-5
67	BC817-16W	6A	SOT-323	500	200	50	45	5
68	BC817-25W	6B	SOT-323	500	200	50	45	5
69	BC817-40W	6C	SOT-323	500	200	50	45	5
70	MMDT2222A	K1P	SOT-363	600	200	75	40	6
71	MMDT2907A	K2F	SOT-363	-600	200	-60	-60	-5
72	MMBTA06	1GM	SOT-23	500	300	80	80	4
73	BC847S	1C	SOT-363	100	200	50	45	6
74	BC848S	2C	SOT-363	100	200	30	30	6
75	BC856S	3C	SOT-363	-100	200	-80	-65	-5
76	2SA812	M4/M5/M6/M7	SOT-23	-100	200	-60	-50	-5
77	MMDT4413	K13	SOT-363	600	200	60	40	6
				-600	200	-40	-40	-5
78	BC847PN		SOT-363	100	200	50	45	6
79	BC846AW	1A	SOT-323	100	150	80	65	6
80	BC846BW	1B	SOT-323	100	150	80	65	6
81	BC847AW	1E	SOT-323	100	150	50	45	6
82	BC847BW	1F	SOT-323	100	150	50	45	6
83	BC847CW	1G	SOT-323	100	150	50	45	6
84	BC848AW	1J	SOT-323	100	150	30	30	5
85	BC848BW	1K	SOT-323	100	150	30	30	5
86	BC848CW	1L	SOT-323	100	150	30	30	5
89	BC856AW	3A	SOT-323	-100	150	-80	-65	-5
90	BC856BW	3B	SOT-323	-100	150	-80	-65	-5
91	BC857AW	3E	SOT-323	-100	150	-50	-45	-5
92	BC857BW	3F	SOT-323	-100	150	-50	-45	-5
93	BC857CW	3G	SOT-323	-100	150	-50	-45	-5
94	BC858AW	3J	SOT-323	-100	150	-30	-30	-5
95	BC858BW	3K	SOT-323	-100	150	-30	-30	-5
96	BC858CW	3L	SOT-323	-100	150	-30	-30	-5
97	BC847S	1C	SOT-363	100	200	50	45	6
98	BC857S	3C	SOT-363	-200	300	-50	-45	-6

小信号MOS(Small Signal Mosfet)

序号	Part-NO	MARKING	Package	V _{DSS} (V)(min)	I _{D(A)} (25°C)	V _{GS(th)} [V](max)	R _{ds(on)} [mohm] at V _{GS} =				Q _g [nC] at 10V	Q _{gs} [nC]	Q _{gd} [nC]	Configuration
							10V (TYP)	10V (MAX)	4.5V (TYP)	4.5V (MAX)	Typ	Typ	Typ	
1	MOT2302	A2SHB	SOT-23	20	2	1.2			55	60	4	0.65	1.5	Single_N
2	MOT2302A	A2SHB	SOT-23	20	2	1.2			35	40	4	0.65	1.5	Single_N
3	MOT2302	A2SHB	SOT-23A-3L	20	2	1.2			55	60	4	0.65	1.5	Single_N
4	MOT2302A	A2SHB	SOT-23A-3L	20	2	1.2			35	40	4	0.65	1.5	Single_N
5	MOT2301	A1SHB	SOT-23	-20	-3	-1			120	160	5.8	0.85	1.7	Single_P
6	MOT2301A	A1SHB	SOT-23	-20	-3	-1			80	120	5.8	0.85	1.7	Single_P
7	MOT2301	A1SHB	SOT-23A-3L	-20	-3	-1			120	160	5.8	0.85	1.7	Single_P
8	MOT2301A	A1SHB	SOT-23A-3L	-20	-3	-1			80	120	5.8	0.85	1.7	Single_P
9	MOT2305	2305	SOT-23	-20	-4.2	-1.2			35	40	12.5	2.5	1.8	Single_P
10	MOT2305	2305	SOT-23A-3L	-20	-4.2	-1.2			35	40	12.5	2.5	1.8	Single_P
11	MOT3400A	A09T	SOT-23	30	5.8	1.4	22	30	24	35				Single_N
12	MOT3400	A09T	SOT-23	30	4	1.4	26	32	27	35				Single_N
13	MOT3400A	A09T	SOT-23A-3L	30	5.8	1.4	22	30	24	35				Single_N
14	MOT3400	A09T	SOT-23A-3L	30	4	1.4	26	32	27	35				Single_N
15	MOT3410		SOT-23A-3L	30	13	1.4	11	15	18	25	9.8	4.2	3.6	Single_N
16	MOT3401A	A19T	SOT-23	-30	-4.2	-1.3	42	64	64	75	9.4	2	3	Single_P
17	MOT3401	A19T	SOT-23	-30	-4.2	-1.3	45	65	65	80	9.4	2	3	Single_P
18	MOT3401A	A19T	SOT-23A-3L	-30	-4.2	-1.3	42	64	64	75	9.4	2	3	Single_P
19	MOT3401	A19T	SOT-23A-3L	-30	-4.2	-1.3	45	65	65	80	9.4	2	3	Single_P
20	MOT4667A6	MOT4667	SOT-23A-6L	40	6.1	2.5	27	34	31	46	5	1.54	1.84	N+P
21	MOT2310	6003	SOT-23	60	3	2	66	86	89	115	7.5	1.4	3	Single_N
22	MOT2310	6003	SOT-23A-3L	60	3	2	66	86	89	115	7.5	1.4	3	Single_N
23	MOT2N10B2	2N10	SOT-23	100	2	3	260	320	320	380	13	35	2	Single_N
24	MOT2N10A3	MOT2N10	SOT-23A-3L	100	2	3	260	320	320	380	13	35	2	Single_N
25	MOT3N10B2	3N10	SOT-23	100	3	3	220	300	280	350	18.2	3	4.1	Single_N
26	MOT3N10	MOT3N10	SOT-23A-3L	100	3	3	220	300	280	350	18.2	3	4.1	Single_N
27	MOT5N10B2	5N10	SOT-23	100	5	3	100	130	120	180	18	3.76	8.5	Single_N
28	MOT5N10A3	MOT5N10	SOT-23A-3L	100	5	3	100	130	120	180	18	3.76	8.5	Single_N
29	MOT1N50A3	MOT1N50	SOT-23A-3L	500V	1	3.5	500	10000			12	5	9	Single_N
30	MOT1N50Q3	MOT1N50	SOT-89	500V	1	3.5	500	10000			12	5	9	Single_N
31	MOT8205A	8205A	SOT-23A-6L	20	6	1.5	17	24	23	32	8.4	1	1.8	N+N
32	MOT8205S	8205S	SOT-23A-6L	20	6	1.5	20	25	27	35	8.4	1	1.8	N+N
33	MOT2N7002	7002K	SOT-23	60	0.38	2.45	1800	2200	2000	2400				Single_N
34	MOT3734A3	MOT3734	SOT-23A-3L	-30	-5	-2.4	26	34	36	50	9.3	1.5	1.9	Single_P
35	MOT3407A3	MOT3407	SOT-23A-3L	-30	-4.1	-3	50	60	68	87				Single_P
36	MOT3419A3	MOT3419	SOT-23A-3L	-30	-7	-2.5	17	25	22	30	16	3	3	Single_P
37	MOT3415A3(带ESD)	MOT3415	SOT-23A-3L	-20	-4	-1			32	40	9.3	1	2.2	Single_P
38	MOT2307A3	MOT2307	SOT-23A-3L	-20	-5	-1.4			18	25	15	1.8	2.8	Single_P
39	MOT2305CB2	S5	SOT-23	-20	-6	-1.2			29	35	12.5	2.5	1.8	Single_P
40	MOT1585A3	MOT1585	SOT-23A-3L	100	10.5	2.5	85	95	90	100	2.3	0.3	0.7	Single_N
41	MOT4526B2	MOT4526	SOT-23	40	5	2.5	25	30	28	32	15.5	2.9	3.5	Single_N



产品选型表 Production Selection

电压基准IC (Zener Shunt Regulator)

序号	MOT型号	封装	基准电压VREF [V]	最大阴极电压VKA [V]	最大阴极电流IKA [mA]	最大输入基准电流IREF [uA]	动态阻抗ZKA [Ω]	功耗 PD [mW]	精度
1	A431	SOT-23	2.495	37	150	6	0.15	300	±0.5%
2	AH431G	SOT-23	2.495	37	150	6	0.15	300	±0.5%
3	IL431	SOT-23	2.495	37	150	6	0.15	300	AN=±0.3% BN=±0.5% CN=±1%



BMS保护IC (BMS Protection ICs)

序号	MOT型号	封装	锂电池节数	过充检测电压[V]	过充解除电压[V]	过放检测电压[V]	过放解除电压[V]	放电过流检测电压 [mV]	充电过流检测电压 [mV]
1	MOTDW01	SOT23-6	1节	4.280	4.080	2.400	3.000	150	-150
2	MOTDW02	SOT23-6	1节	4.280	4.080	2.500	3.000	150	-150
3	MOTG3J	SOT23-6	1节	4.280	4.080	3.000	3.000	80	-100
4	MOTL602-AAA6R	SOT23-6	2节	4.280	4.080	2.900	3.000	200	-210
5	MOTL602-ABA6R	SOT23-6	2节	4.280	4.080	2.800	3.000	200	-210
6	MOTL602-ACA6R	SOT23-6	2节	4.250	4.050	2.500	3.000	200	-210
7	MOTL602-ADA6R	SOT23-6	2节	4.250	4.050	2.500	3.000	200	-210
8	MOTL602-AGA6R	SOT23-6	2节	4.350	4.150	2.300	3.100	300	-210
9	MOTL602-BLA6R	SOT23-6	2节	3.650	3.450	2.000	2.500	200	-210
10	MOTL603-AASR	SOP-8	3节	4.225	4.025	2.700	3.000	100	-45
11	MOTL603-ABSR	SOP-8	3节	4.250	4.050	2.500	3.000	100	-45
12	MOTL603-ACSR	SOP-8	3节	4.250	4.050	2.700	3.000	100	-45
13	MOTL603-BDSR	SOP-8	3节	3.750	3.550	2.150	2.400	100	-45
14	MOTL603-AESR	SOP-8	3节	4.350	4.150	2.500	3.000	100	-45
15	MOTL603-AFSR	SOP-8	3节	4.420	4.220	2.500	2.800	100	-45
16	MOTL604-AAS16R	SOP-16	4节	4.250	4.150	2.700	3.000	100	-50
17	MOTL604-ABS16R	SOP-16	4节	4.250	4.150	2.500	3.000	100	-50
18	MOTL604-BDS16R	SOP-16	4节	3.750	3.650	2.300	2.500	100	-50
19	MOTL605-AAS16R	SOP-16	5节	4.250	4.150	2.700	3.000	100	-50
20	MOTL605-ABS16R	SOP-16	5节	4.350	4.250	2.700	3.000	100	-50
21	MOTL605-ACS16R	SOP-16	5节	4.250	4.150	2.500	3.000	100	-50
22	MOTL605-BDS16R	SOP-16	5节	3.750	3.560	2.140	2.400	100	-45

充电管理IC (Battery Charger ICs)

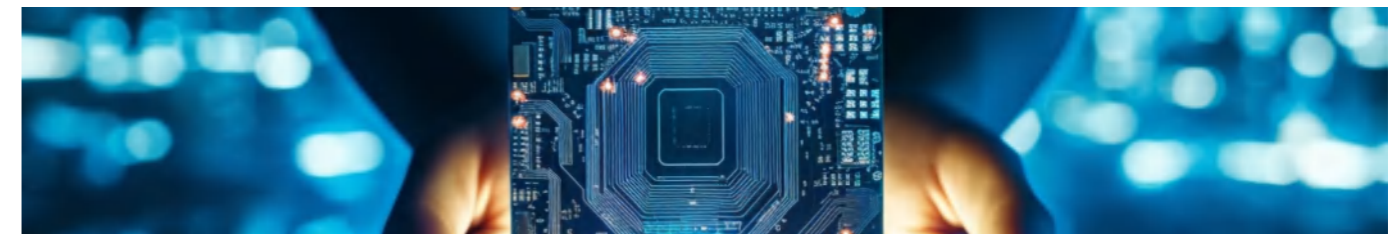
序号	MOT型号	封装	锂电池节数	输入电压范围	OVP保护电压	充电截止电压Vfloat	充电电流TYP	NTC保护功能	防反接功能
1	MOTF4055-A6	SOT23-6	1节	4.5~28V	6.3V	4.20	600mA	无	有
2	MOTF4056-ES	ESOP-8	1节	4.5~28V	6.3V	4.20	1.2A	无	有
3	MOTF4056A-ES	ESOP-8	1节	4.5~28V	6.3V	4.20	1.2A	有	有
4	MOTF4067-K3	DFN3x3-8	1节	4.5~28V	6.3V	4.20	1.2A	无	有
5	MOTF4068-K3	DFN3x3-8	1节	4.5~28V	6.3V	ADJ	1.2A	有	有
6	MOTF5054-A6	SOT23-5	1节	4.0~10V	6.3V	3.70	600mA	无	有
7	MOTF620-S	SOP-8	2节	3~8V	无	8.40	外接MOS 5A	无	无
8	MOTF630-S	SOP-8	3节	3~8V	无	12.6	外接MOS 4A	无	无
9	MOTF610-S	SOP-8	2节	3~8V	无	8.40	内置MOS 1.2A	无	无
10	MOTF690-ES	ESOP-8	2节	3~30V	6.0V	8.40	内置MOS 1.5A	有	无
11	MOTF612-K2	TSSOP-14	2节磷酸铁锂电池	3~8V	无	7.40	外接MOS 5A	无	无
12	MOTF613-K2	TSSOP-14	3节磷酸铁锂电池	3~8V	无	11.1	外接MOS 4A	无	无
13	MOTF520-ES	ESOP-8 DFN3x3-8	1节	3.8~8V	无	4.20	2A	有	无
14	MOTF530-ES	DFN3x3-10	1节	3.8~28V	6.3V	4.20	2.5A	有	无

运放IC (Operational Amplifier)

序号	MOT型号	封装	通道	输入电压范围	Rail-to-Rail Output	ID (pA)	GBP (MHZ)	Vos Max (mV)	IQ (uA)
1	MOTC321	SOT23-5	1	2.3~5.5V	Y	1	1	4.5	65
2	MOTC358	SOP-8	2	2.3~5.5V	Y	1	1	4.5	130
3	MOTC324	TSSOP-14	4	2.3~5.5V	Y	1	1	4.5	260

非隔离IC (AC-DC ICs)

序号	MOT型号	封装	基准FB电压 (V)	输入电压范围	Vout (>2V)	MOS (V)	Rds (Ω)	MODE	IOC (mA)
1	MOTA525S	SOP-8	2	85~265V	ADJ	500V	20	PWM/PFM	IO<120mA
2	MOTA525AS	SOP-8	2	85~265V	ADJ	500V	18	PWM/PFM	IO<250mA
3	MOTA525BS	SOP-8	2	85~265V	ADJ	500V	7.8	PWM/PFM	200mA<IO<400mA
4	MOTA525CS	SOP-8	2	85~265V	ADJ	500V	5	PWM/PFM	350mA<IO<700mA
5	MOTA525DS	SOP-8	2	85~265V	ADJ	500V	2.5	PWM/PFM	650mA<IO<900mA
6	MOTA525EH	DIP-8	2	85~265V	ADJ	500V	2	PWM/PFM	1000mA
7	MOTA526S	SOP-8	2	85~265V	ADJ	650V	20	PWM/PFM	IO<120mA
8	MOTA526AS	SOP-8	2	85~265V	ADJ	650V	18	PWM/PFM	IO<250mA
9	MOTA526BS	SOP-8	2	85~265V	ADJ	650V	7.8	PWM/PFM	200mA<IO<400mA
10	MOTA526CS	SOP-8	2	85~265V	ADJ	650V	5	PWM/PFM	350mA<IO<700mA
11	MOTA526DS	SOP-8	2	85~265V	ADJ	650V	2.5	PWM/PFM	650mA<IO<900mA
12	MOTA526EH	DIP-8	2	85~265V	ADJ	650V	2	PWM/PFM	1000mA



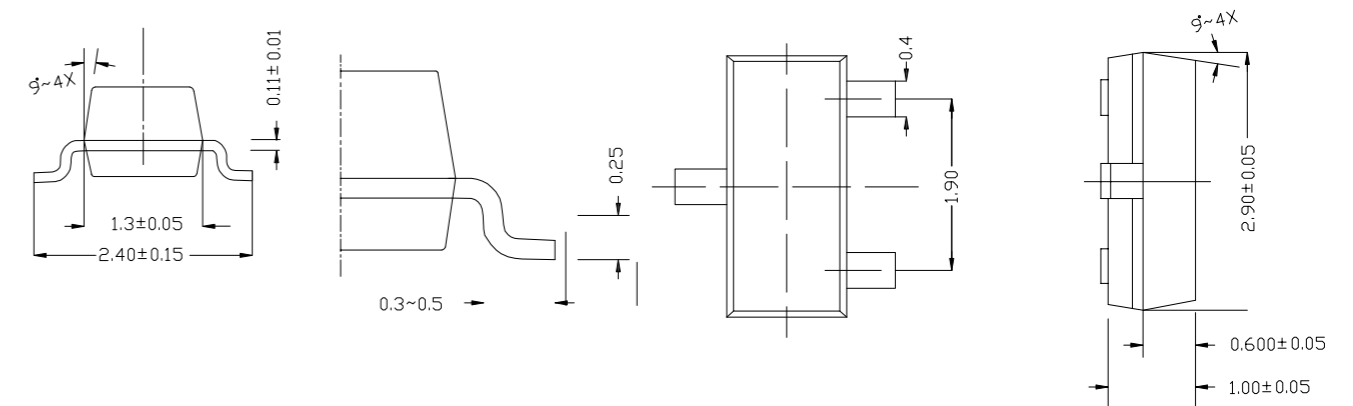
产品选型表 Production Selection

音响对管(Bipolar Transistor)

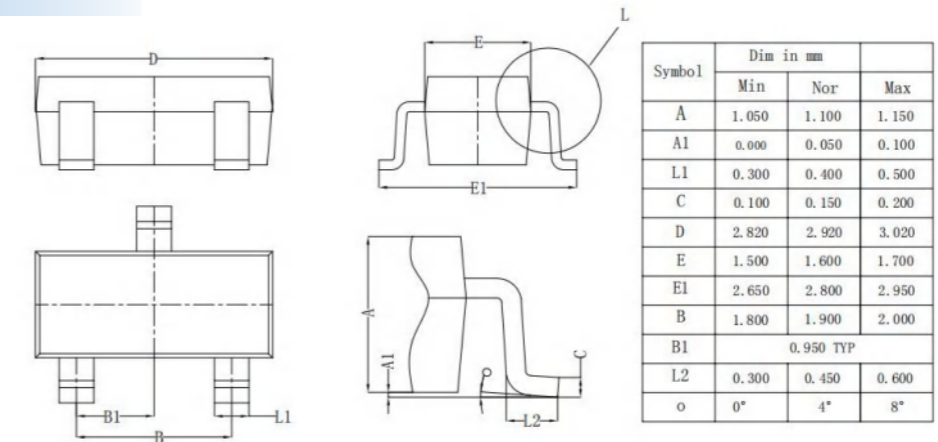
序号	Part-NO	IC(A)	PC(W)	BVCBO(V)	BVCEO(V)	BVEB(V)	HFE	Package
1	2SB688	-10	80	-120	-120	-5	80-160	TO-3PN
2	2SD718	10	80	120	120	5	80-160	TO-3PN
3	C4793	1	20	230	230	5	100-320	TO-220/220F
4	A1837	-1	20	-230	-230	-5	100-320	TO-220/220F
5	MJE15033	-8	50	-250	-250	-5	50-200	TO-220F
6	MJE15032	8	50	250	250	5	50-200	TO-220F
7	MJE15033	-8	50	-250	-250	-5	50-200	TO-220
8	MJE15032	8	50	250	250	5	50-200	TO-220
9	NJW0281G	15	120	250	250	5	75-150	TO-3PB
10	NJW0302G	-15	120	-250	-250	-5	75-150	TO-3PB
11	NJW0281G	15	140	250	250	5	75-150	TO-3PB
12	NJW0302G	-15	140	-250	-250	-5	75-150	TO-3PB
13	NJW0281G	15	160	250	250	5	75-150	TO-3PB
14	NJW0302G	-15	160	-250	-250	-5	75-150	TO-3PB
15	TIP35C	25	125	100	100	5	15-75	TO-247S
16	TIP36C	-25	125	-100	-100	-5	15-75	TO-247S
17	TIP35C	25	125	100	100	5	15-75	TO-3PN
18	TIP36C	-25	125	-100	-100	-5	15-75	TO-3PN
19	2SA1941	-10	40	-140	-140	-5	80-160	TO-3PN
20	2SC5198	10	40	140	140	5	80-160	TO-3PN
21	2SA1941	-10	60	-140	-140	-5	80-160	TO-3PN
22	2SC5198	10	60	140	140	5	80-160	TO-3PN
23	2SA1941	-10	80	-140	-140	-5	80-160	TO-3PN
24	2SC5198	10	80	140	140	5	80-160	TO-3PN
25	2SA1941	-10	100	-140	-140	-5	80-160	TO-3PN
26	2SC5198	10	100	140	140	5	80-160	TO-3PN
27	2SA1941	-10	120	-140	-140	-5	80-160	TO-3PN
28	2SC5198	10	120	140	140	5	80-160	TO-3PN
29	TTA1943	-15	130	-230	-230	-5	80-160	TO-3PL
30	TTC5200	15	130	230	230	5	80-160	TO-3PL
31	2SC5200	15	150	230	230	5	80-160	TO-3PL
32	2SA1943	-15	150	-230	-230	-5	80-160	TO-3PL
33	2SC5200	15	180	230	230	5	80-160	TO-3PL
34	2SA1943	-15	180	-230	-230	-5	80-160	TO-3PL



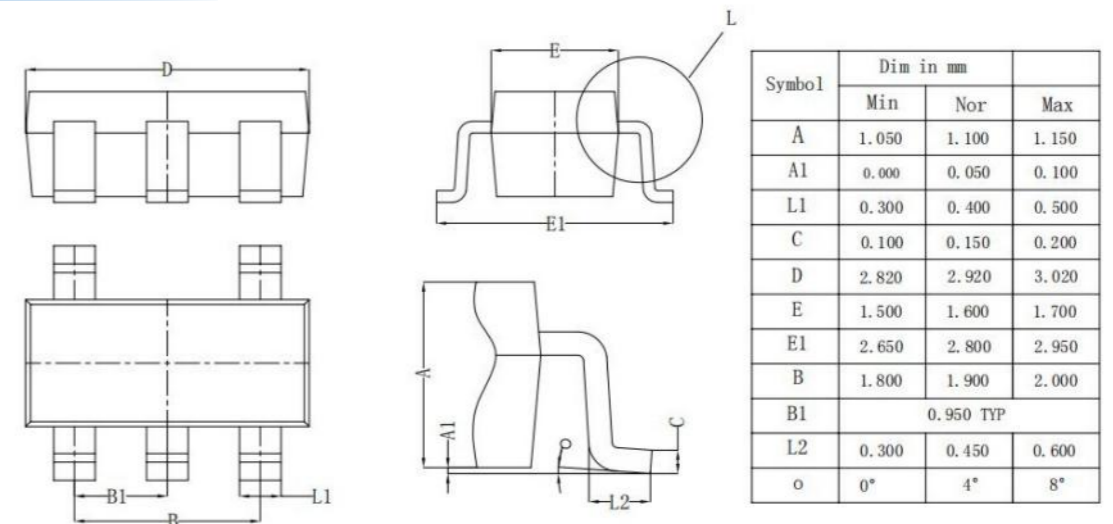
SOT-23



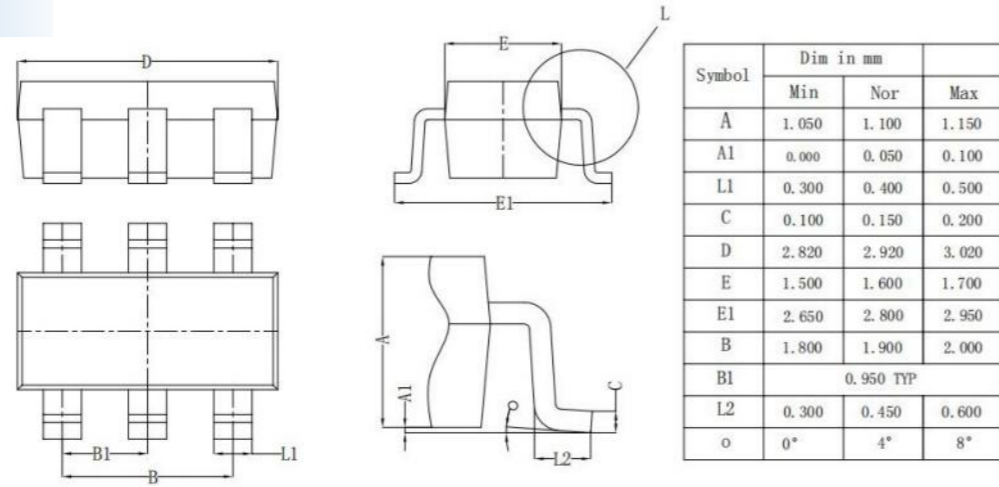
SOT-23-3L



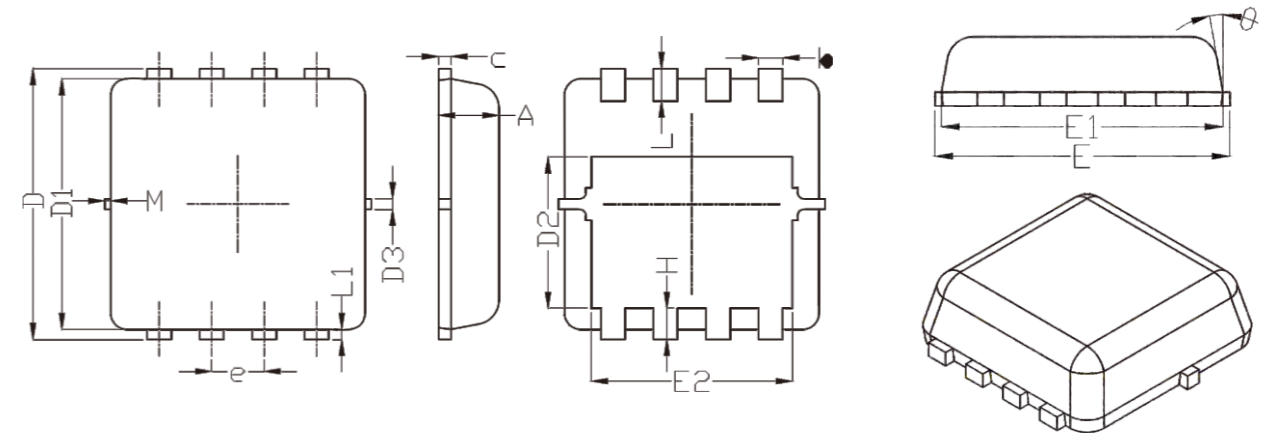
SOT-23-5L



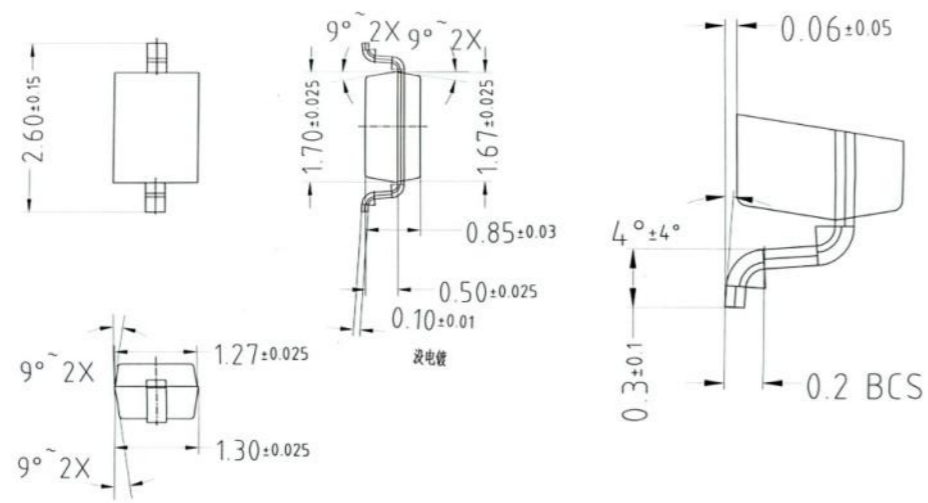
SOT-23-6



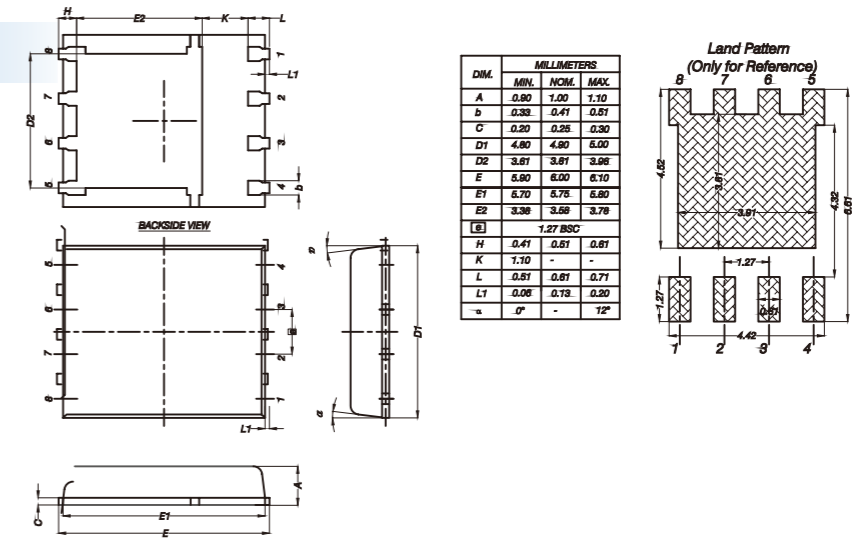
3X3



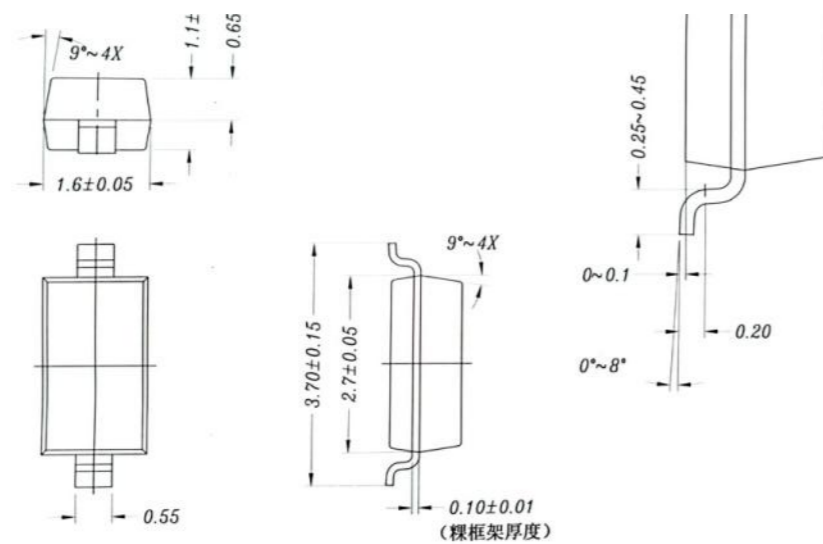
SOD323



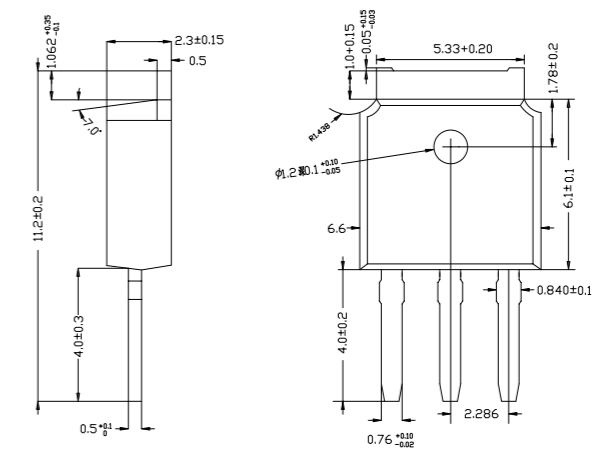
5X6



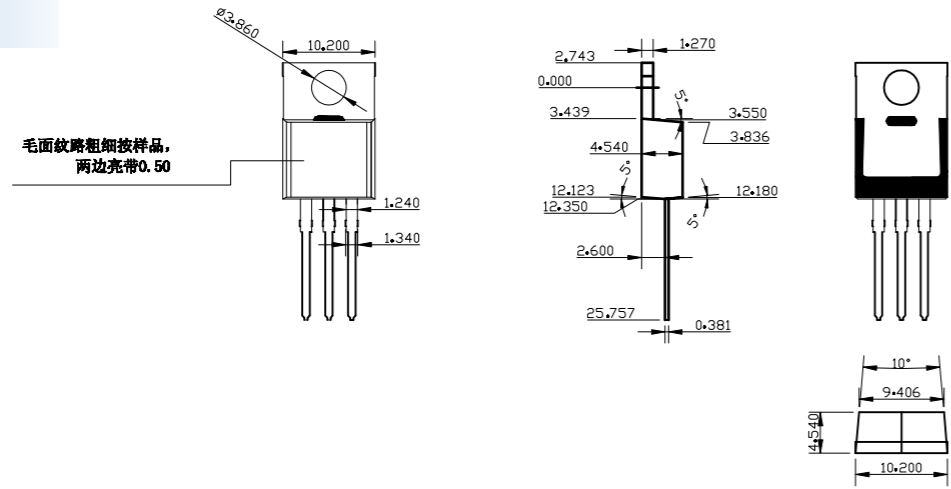
SOD123



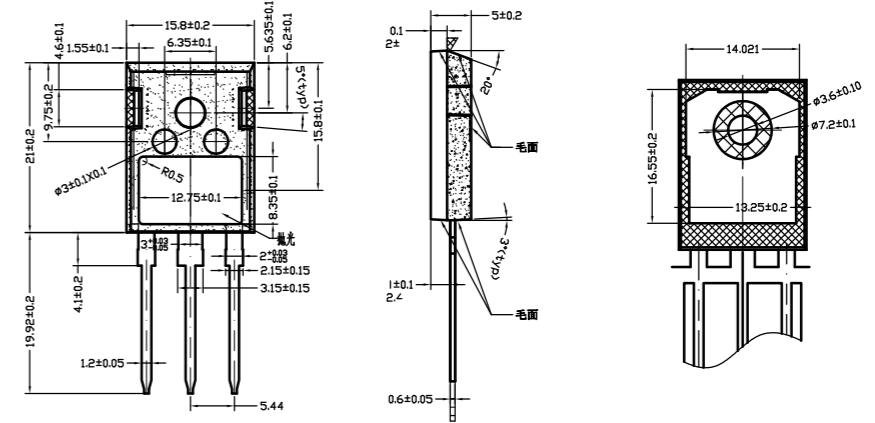
251



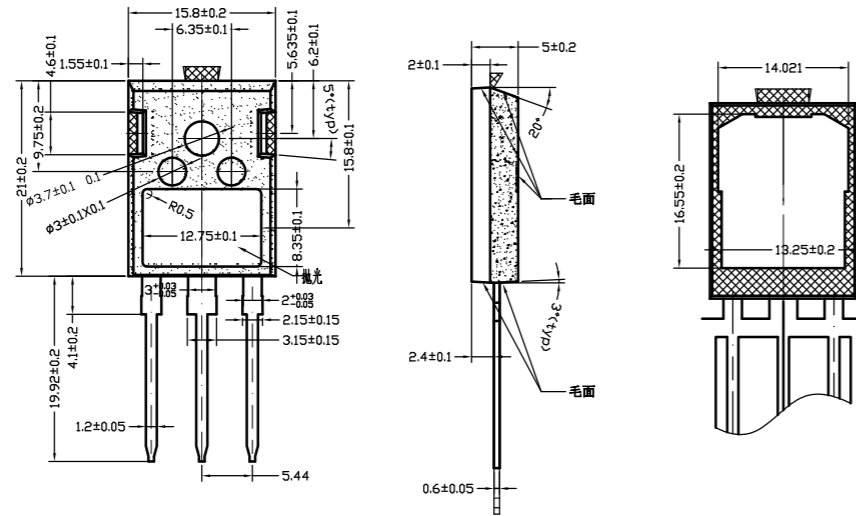
220AB



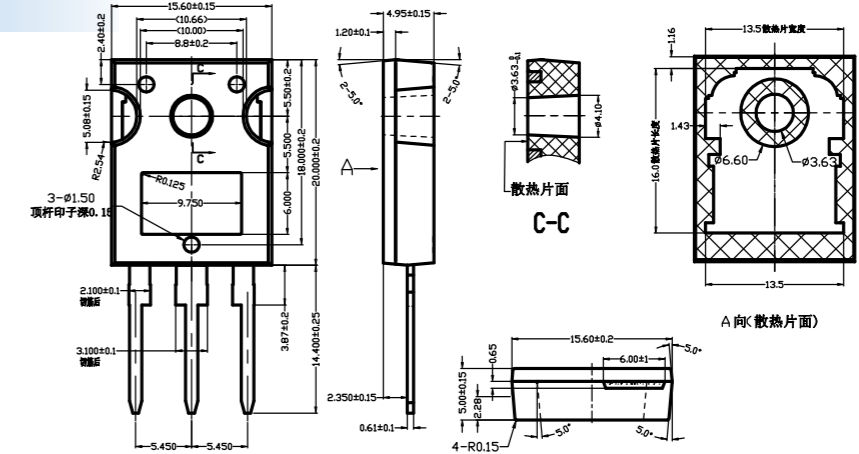
TO-247-3L



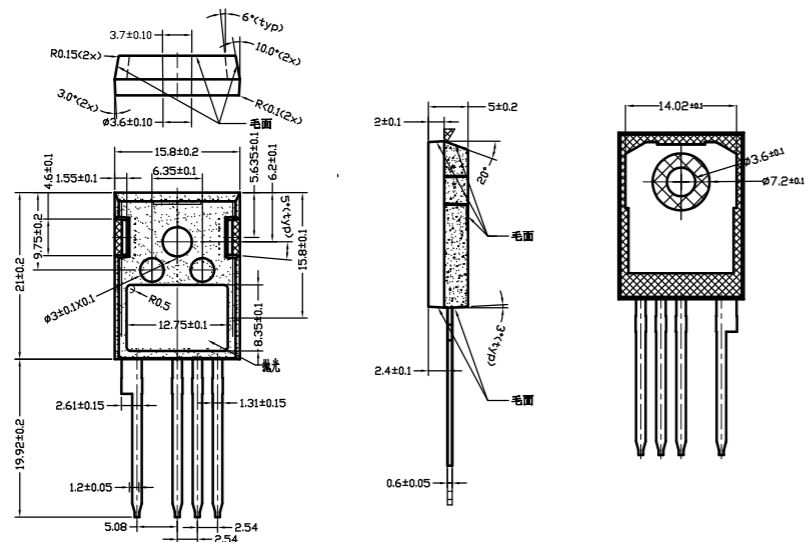
TO-247-PLUS



TO-247S



TO-247-4L



TO-3PN

